

Diesel Engine Parts Catalog

YC4D

Yuchai machinery Co. Ltd.

2005, 1

Preface

Respected customers of Yuchai:

Thank you for choosing products of Yuchai and reading <YC4D Diesel Engine Parts Catalog>!

The service principles of Yuchai are to try our best to serve you, and serve you wholeheartedly and faithfully. In order to carry out them better, We edit and print <YC4D Diesel Engine Parts Catalog>. We hope this catalog can let users know our products' construct and configuration, easily use, maintain and purchase parts.

This catalog is based on the product's drawing and data made in 2005. All main parts of YC4D (D0800) are listed in this catalog.

With the product improvement and users' requirements, part of content will change to some extend. Yuchai keeps the right of modifications which are not informed in advance. The detail configuration should accord to the product technical documents of the day.

<YC4D Diesel Engine Parts Catalog> is planed by Yuchai machinery Co. Ltd and edited by Yuchai technical design department.

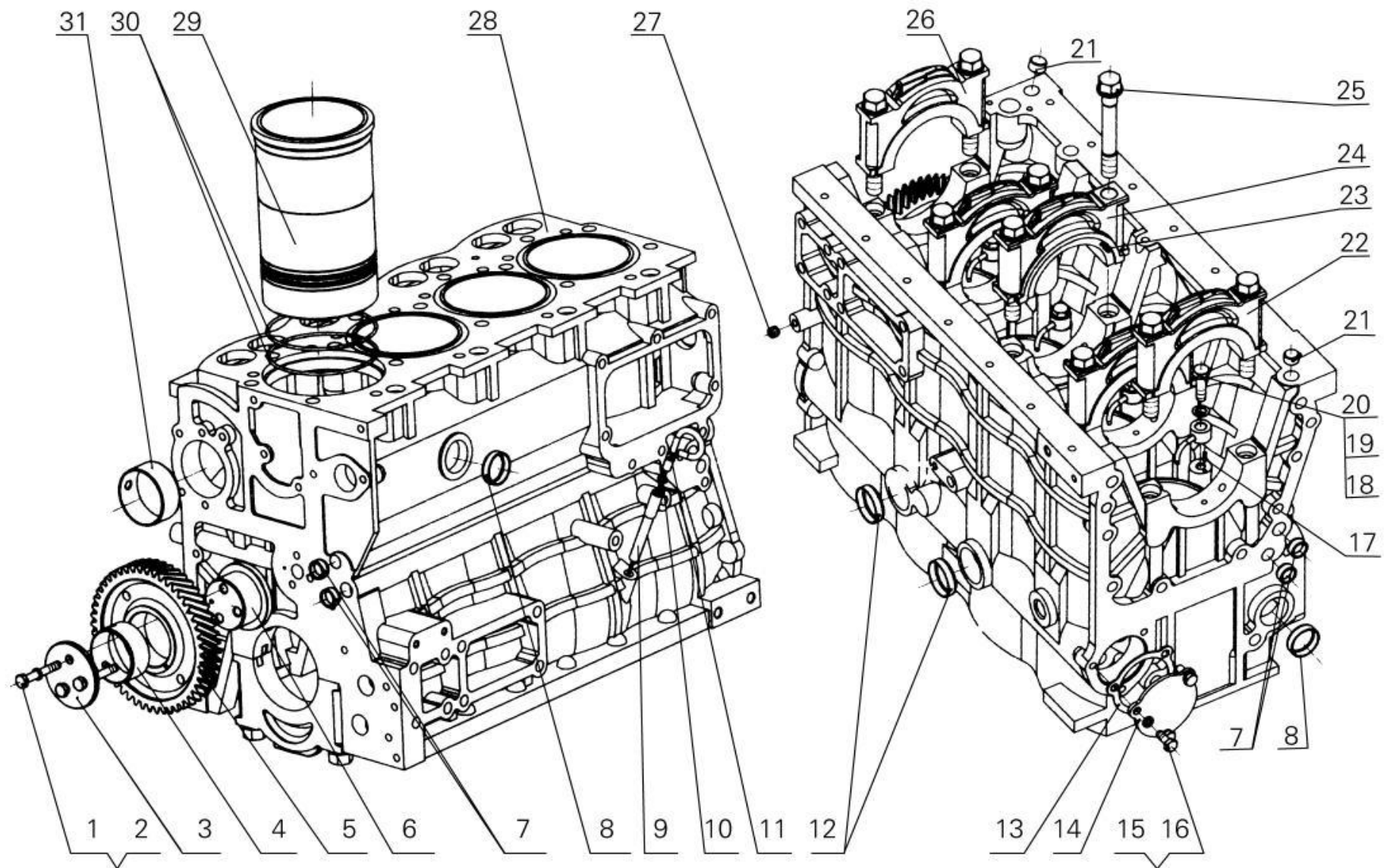
If there is any mistake in <YC4D Diesel Engine Parts Catalog>, please point out and make it better. Thank you!

Yuchai machinery Co. Ltd.
2005, 1

Contents

Item	Part No.	Part Name	Page	Remark	Item	Part No.	Part Name	Page	Remark
1	D0200-1002000	Cylinder block assembly	3		23	D30-1307000	Water pump assembly	47	
2	D30-1002030A	Timing gear housing parts	5		24	D0200-1308000	Fan assembly	49	
3	D0300-1003000	Cylinder head assembly	7		25	D0200-3509000	Air compressor assembly	51	
4	D0200-1004000	Piston and connecting rod assembly	9		26	D30-3701000	Charging generator assembly	53	
5	D0800-1005000	Crankshaft and flywheel assembly	11		27	D30-3708000	Starter assembly	55	
6	D30-1006000A	Camshaft assembly	13		28	D30-3800000	Gauge parts	57	
7	D30-1007000A	Valve & drive train assembly	15						
8	D0800-1008010	Intake manifold assembly	17						
9	D0200-1008020	Exhaust manifold assembly	19						
10	D30-1009000	Oil sump assembly	21						
11	D30-1010000	Oil strainer assembly	23						
12	D30-1011000	Oil pump assembly	25						
13	D30-1012000	Oil filter assembly	27						
14	D30-1013000A	Oil cooler assembly	29						
15	D0800-1104000	Fuel line assembly	31						
16	D0200-1105000A	Fuel filter assembly	33						
17	D0800-1111000	Fuel injection pump assembly	35						
18	D0800-1112000	Fuel injector assembly	37						
19	D0200-1118000	Turbocharger assembly	39						
20	D30-1303000	Water outlet pipe assembly	41						
21	631-1305000	Water drain cock assembly	43						
22	6105Q-1305100	Water inlet cock assembly for heater	45						

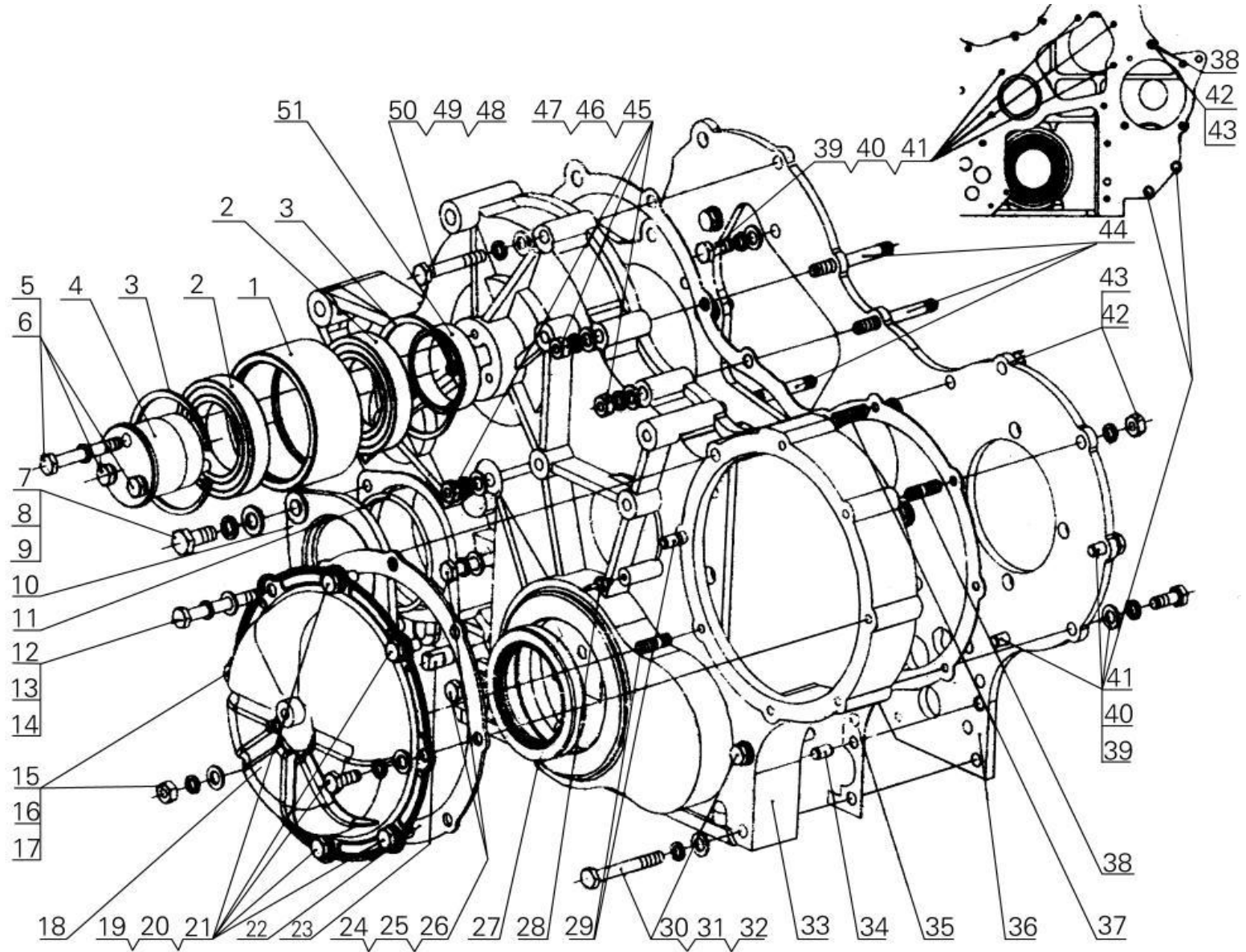
1 D0200-1002000 Cylinder block assembly



1 D0200-1002000 Cylinder block assembly

Item	Part No.	Part Name	Num.	Remark	Item	Part No.	Part Name	Num.	Remark
1	Q40308	Washer 8	3		23	Q5220408	Pin 4×8	2	
2	Q150B0855TF2	Bolt M8×55	3		24	330-1002013	Middle main bearing cover	1	
3	D30-1002054	Timing idler gear plate	1		25	330-1002021A	Main bearing bolt	10	
4	6105QA-1002011	Camshaft bushing	1	damageable	26	D30-1002012A	Front main bearing cover	1	
5	D30-1002051	Timing idler gear	1		27	Q61101	Castle tapered face screw plug NPT1/8	1	
6	D30-1002052	Idler shaft	1		28	D30-1002114	Cylinder block	1	
7	D30-1002069	Main oil gallery plug	4		29	D30-1002064B	Cylinder liner	4	
8	630-1003081	Water jacket plug	2		30	A3000-1002063/B	Cylinder liner seal ring	4	damageable
9	6105Q-1002081A	Dipstick sleeve	1		31	D30-1002011	Camshaft bushing	5	damageable
10	6105Q-1002082	O ring 9×1.6	1	damageable					
11	D30-1002090A	Dipstick welded part	1						
12	Q72240	Plug 40	2						
13	D30-1002062A	Camshaft cover gasket	1	damageable					
14	D30-1002061	Camshaft cover	1						
15	Q40308	Washer 8	3						
16	Q150B0820	Bolt M8×20	3						
17	Q5220312	Pin 3×12	4						
18	D30-1002170A	Nozzle parts	4						
19	430-1002163	Washer	4						
20	430-1002162B	Hollow bolt for oil	4						
21	D30-1002067A	Plug	2						
22	330-1002014	Main bearing cover	3						

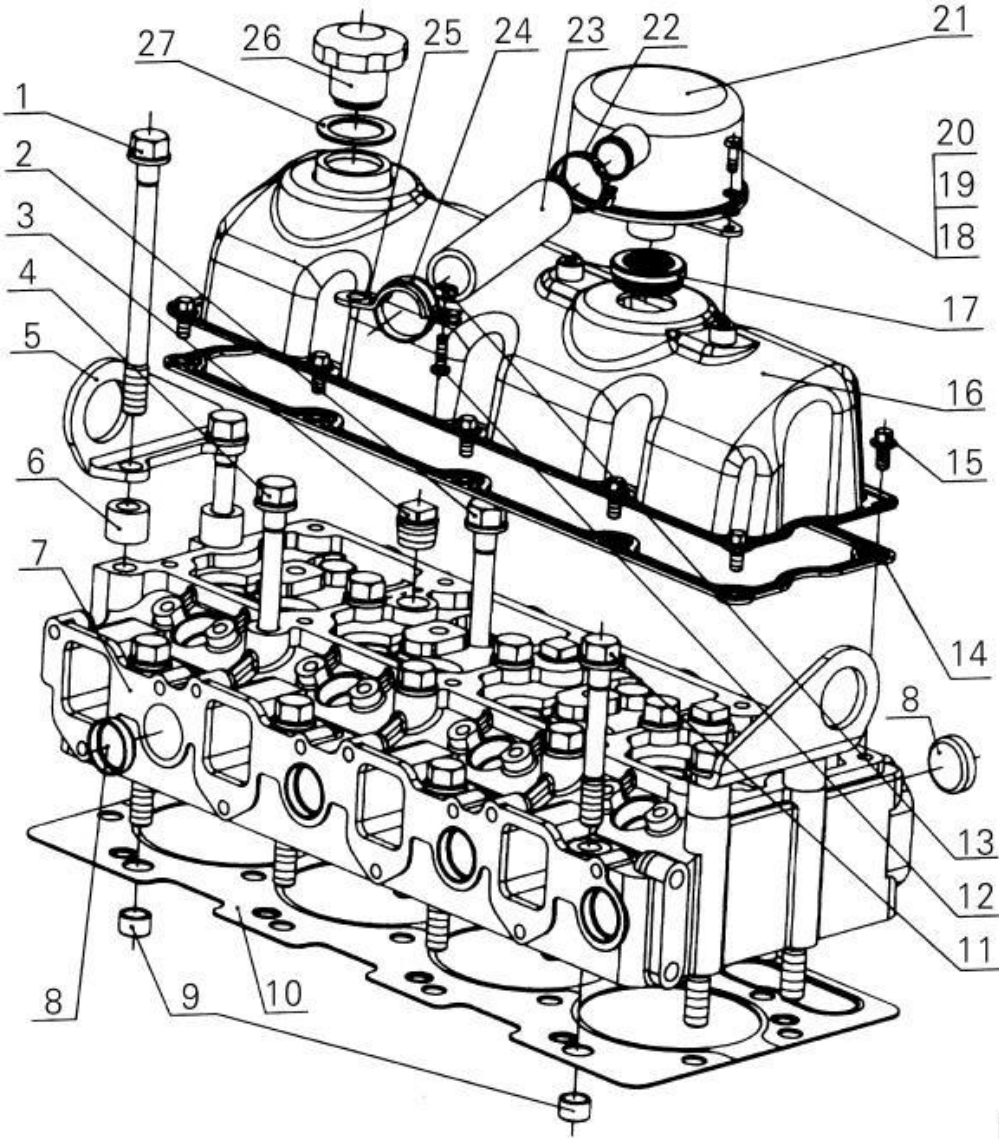
2 D30-1002030A Timing gear housing parts



2.D30-1002030A Timing gear housing parts

Item	Part No.	Part Name	Num.	Remark	Item	Part No.	Part Name	Num.	Remark
1	D30-1002211B	V-ribbed belt idler	1		27	GB/T9877.1-FB659012F	Seal ring FB65×90×12F	1	damageable
2	GB/T276-6010-2RS	Antifriction bearing 6010-2RS	2		28	D30-1002037	TDC pointer	1	
3	Q43080	Snap ring 80	2		29	Q1200816	Stud M8×16	2	
4	D30-1002213B	V-ribbed belt idler shaft	1		30	Q40108	Washer 8	2	
5	Q40308	Washer 8	3		31	Q40308	Washer 8	2	
6	Q150B0865	Bolt M8×65	3		32	Q150B0865	Bolt M8×65	2	
7	Q40110	Washer 10	2		33	D30-1002031C	Timing gear housing cover	1	
8	Q40310	Washer 10	2		34	Q5220814	Pin 8×14	1	
9	Q150B1025	Bolt M10×25	2		35	D30-1002034C	Timing gear housing cover gasket	1	damageable
10	D30-1002038	Power steering pump cover	1		36	D30-1002033C	Gear housing cover	1	
11	GB3452.1--26507500	O ring 75×2.65	1	damageable	37	Q1200818	Stud M8×18	1	
12	Q40108	Washer 8	1		38	Q1200820	Stud M8×20	2	
13	Q40308	Washer 8	1		39	Q40108	Washer 8	10	
14	Q150B0870	Bolt M8×70	1		40	Q40308	Washer 8	10	
15	Q40108	Washer 8	1		41	Q150B0822	Bolt M8×22	10	
16	Q40308	Washer 8	1		42	Q40308	Washer 8	3	
17	Q340B08	Nut M8	2		43	Q340B08	Nut M8	3	
18	30-1002040	Fuel injection pump gear cover parts	1		44	Q1200865	Stud M8×65	3	
19	Q40108	Washer 8	5		45	Q40108	Washer 8	3	
20	Q40308	Washer 8	5		46	Q40308	Washer 8	3	
21	Q150B0820	Bolt M8×20	5		47	Q340B08	Nut M8	3	
22	D30-1002036	Fuel pump gear cover gasket	1	damageable	48	Q40108	Washer 8	1	
23	6105Q--1600011	Flat pin	1		49	Q40308	Washer 8	1	
24	Q40108	Washer 8	2		50	Q150B0855	Bolt M8×55	1	
25	Q40308	Washer 8	2		51	D30-1002212A	Spacer	1	
26	Q150B0850	Bolt M8×50	2						

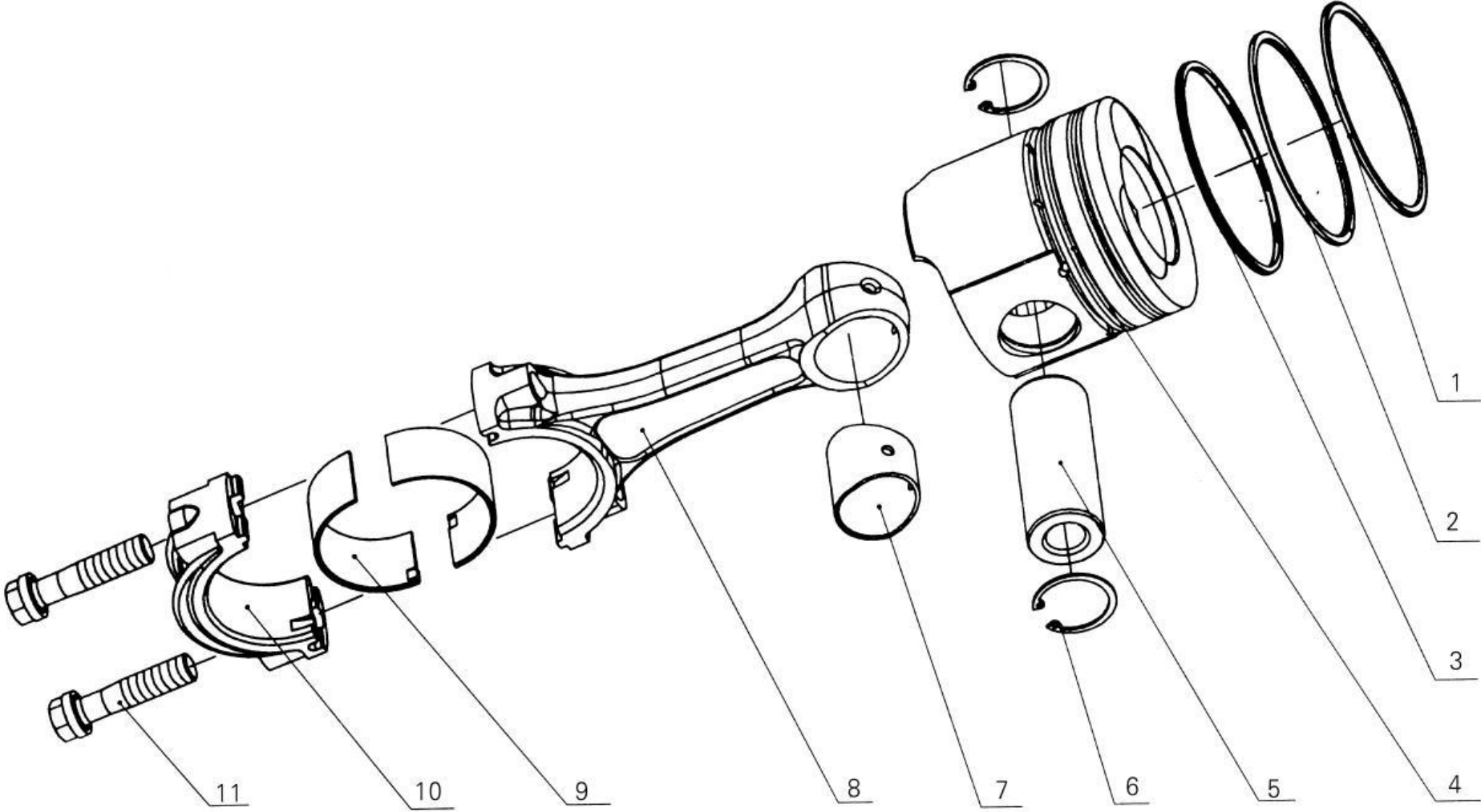
3 D0300-1003000 Cylinder head assembly



3 D0300-1003000 Cylinder head assembly

Item	Part No.	Part Name	Num.	Remark	Item	Part No.	Part Name	Num.	Remark
1	330-1003013A	Cylinder head long bolt	4		23	1530-1014023	Vent hose	1	
2	D30-1003018	Cylinder head short bolt (II)	4		24	150-1014022	Clamp	1	
3	Q614B06	Square tapered face screw plug NPT3/4	3		25	1530-1014021	Vent hose bracket	1	
4	330-1003014A	Cylinder head short bolt	6		26	150-1003041E	Oil filler cap	1	
5	6105Q-1003085	Hanger	2		27	150-1003043B	Seal ring	1	
6	D30-1003017	Washer	4						
7	D30-1003015B	Cylinder head	1						
8	6105Q-1003081	Water jacket plug (1)	8						
9	6105QA-1003088	Cylinder head dowel pin sleeve	2						
10	D30-1003011A	Cylinder head gasket	1	damageable					
11	D30-1003018	Cylinder head short bolt (II)	4						
12	Q2140620	Screw M6×20	1						
13	Q340B06	Nut M6	1						
14	D30-1003022C	Cylinder head cover gasket	1						
15	Q1840816	Bolt M8×16	10						
16	D30-1003060C	Cylinder head cover welded part	1						
17	330-1003053	Seal ring	1						
18	Q40106	Washer 6	2						
19	Q40306	Washer 6	2						
20	Q150B0616	Bolt M6×16	2						
21	D30--1003120	Breather parts	1						
22	Q67638	Circlip 38	1						

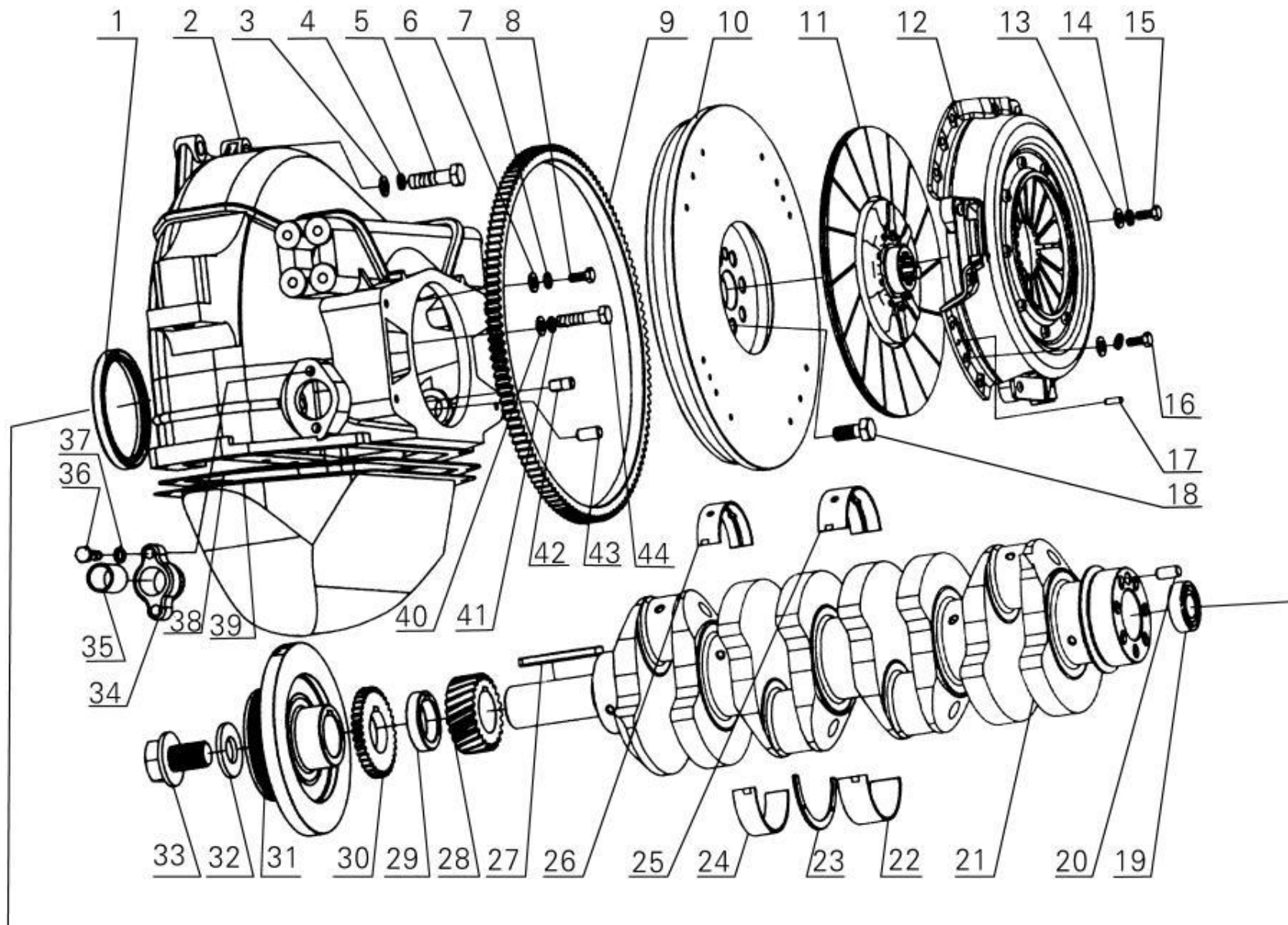
4 D0200-1004000 Piston and connecting rod assembly



4 D0200-1004000 Piston and connecting rod assembly

Item	Part No.	Part Names	Quantity	Remark	Item	Part No.	Part Names	Quantity	Remark
1	A30-1004016	First compression ring	4	damageable					
2	A30-1004017	Second compression ring	4	damageable					
3	A30-1004030	Oil scraper ring	4	damageable					
4	D30-1004001	Piston	4	damageable					
5	6105Q-1004019B	Piston pin	4						
6	Q43038	Retaining ring 38	8	damageable					
7	530-1004052	Connecting rod bushing	4	damageable					
8	530-1004051	Connecting rod	4						
9	530-1004019	Connecting rod bearing	8	damageable					
10	530-1004053	Connecting rod cap	4						
11	530-1004054	Connecting rod bolt	8	damageable					

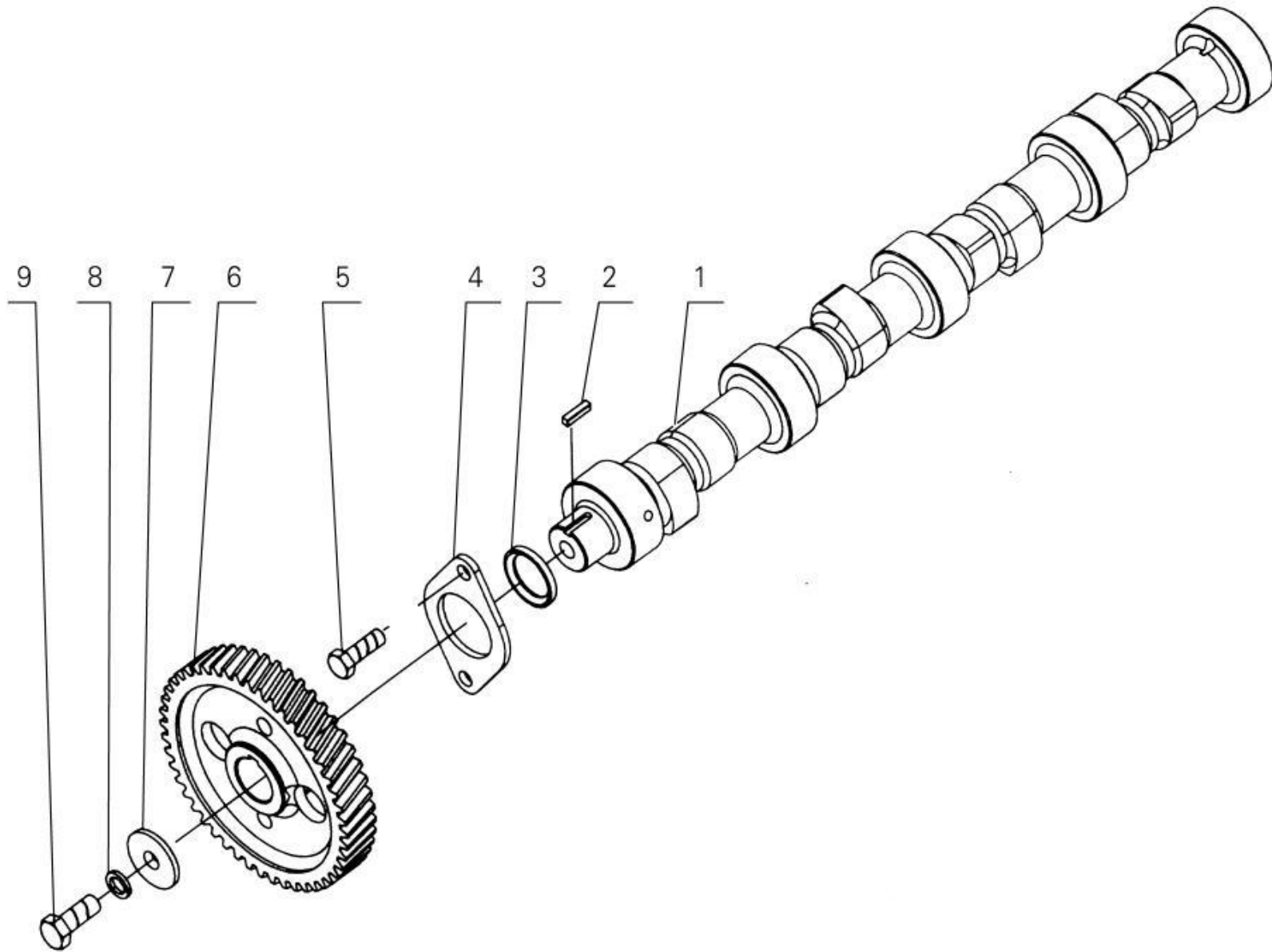
5 D0800-1005000 Crankshaft and flywheel assembly



5 D32-1005000 Crankshaft and flywheel assembly

Item	Part No.	Part Name	Quantity	Remark	Item	Part No.	Part Name	Quantity	Remark
1	GB9877.1-88	Oil seal FB100×125×12F	1		23	6105Q-1005058A	Crankshaft thrust plate	1	damageable
2	D0200-1600015A	Clutch case	1		24	D30-1005055	Crankshaft lower bearing (narrow)	4	damageable
3	Q40114	Washer 14	4		25	D30-1005056A	Crankshaft upper bearing (wide)	1	damageable
4	Q40314	Washer 14	4		26	D30-1005054	Crankshaft upper bearing (narrow)	4	damageable
5	Q150B1455	Bolt M14×55	4		27	Q5511296	Key 12×96	1	
6	Q40108	Washer 8	4		28	6105Q-1005021	Crankshaft timing gear	1	
7	Q40308	Washer 8	4		29	D30-1005023	Spacer	1	
8	Q150B0816	Bolt M8×16	4		30	D30-1005022	Oil pump driving gear	1	
9	532-1005062A	Flywheel ring gear	1		31	D30-1005030	Pulley damper assembly	1	
10	D32-1005061A	Flywheel	1		32	D30-1005051	Damper tightening bolt gasket	1	
11	D32-1600200	Clutch driven plate	1		33	D30-1005052	Damper tightening bolt	1	
12	D32-1600050	Clutch cover and pressure plate	1		34	6105Q-1600021	Clutch fork flange	1	
13	Q40110	Washer 10	8		35	6105Q-1600022	Clutch fork bushing	2	
14	Q40310	Washer 10	8		36	Q150B1035	Bolt M10×35	2	
15	Q/YC1821022	Bolt M10×22	n	12 parts	37	Q40310	Washer 10	2	
16	Q/YC1821028	Bolt M10×28	n		38	630-1600018	Small cover gasket	1	
17	Q5221022	Pin B10×20	2		39	6105Q-1600017	Clutch bottom cover	1	
18	330-1005044	Flywheel bolt	7		40	Q40112	Washer 12	6	
19	GB/T276-6205-Z	Antifriction bearing 6205-Z	1		41	Q40312	Washer 12	6	
20	6105Q-1005042	Dowel pin	1		42	6105Q-1600011	Flat pin	1	
21	D0800-1005001	Crankshaft	1		43	Q5221224	Pin B12×24	1	
22	D30-1005057	Crankshaft lower bearing (wide)	1	damageable	44	Q150B1250	M12×50	6	

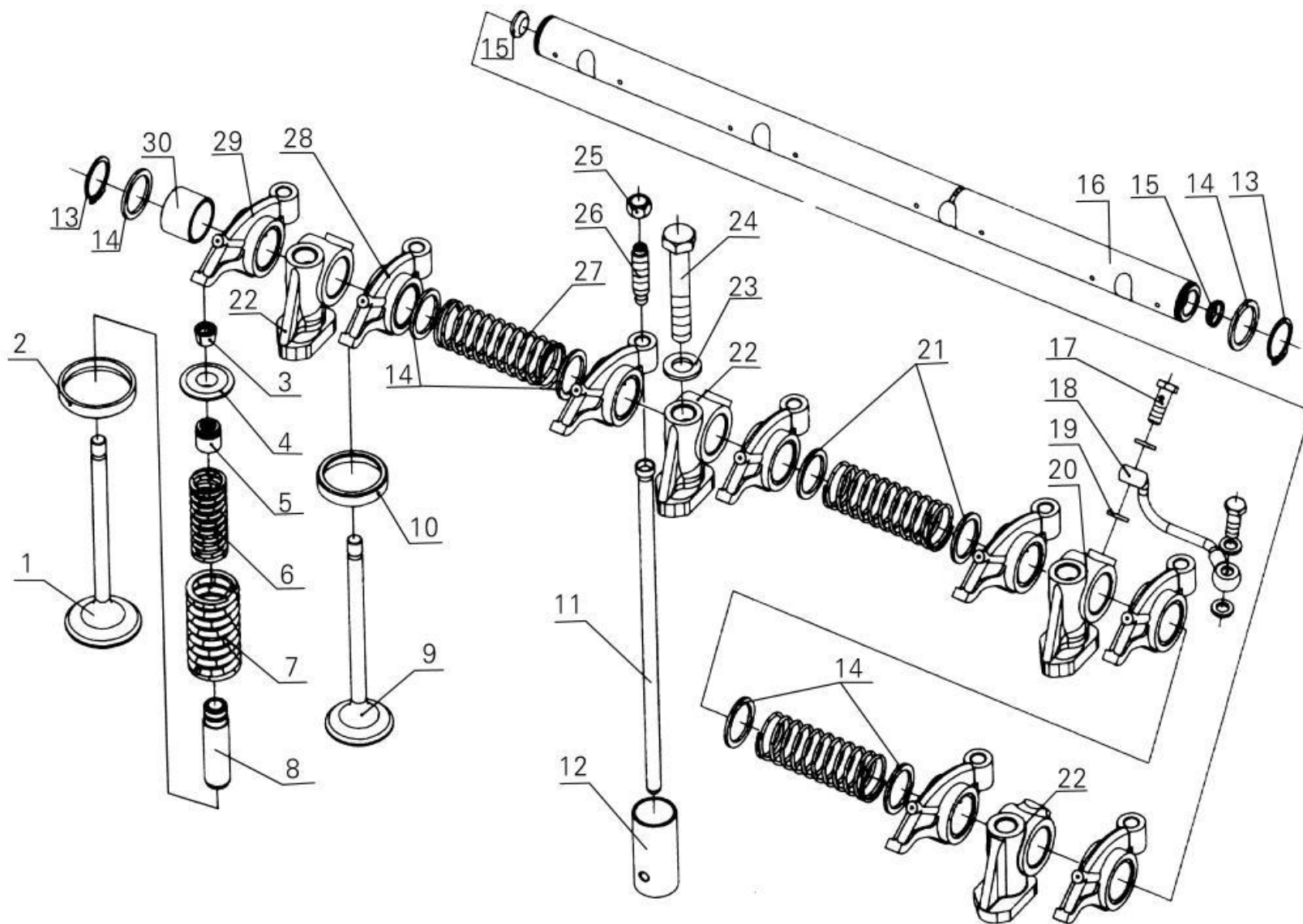
6 D30-1006000A Camshaft assembly



6 D30-1006000A Camshaft assembly

Item	Part No.	Part Names	Quantity	Remark	Item	Part No.	Part Names	Quantity	Remark
1	D30-1006015B	Camshaft	1						
2	GB/T1096-C0828	Key 8×28	1	damageable					
3	6105Q-1006017	Spacer - camshaft timing gear	1						
4	D30-1006016	Camshaft thrust plate	1						
5	Q/YC1820820	Bolt M8×20	2						
6	D30-1006021	Camshaft timing gear	1						
7	630-1006019	Washer	1						
8	Q40312	Washer 12	1						
9	Q150B1238TF2	Bolt M12×28	1						

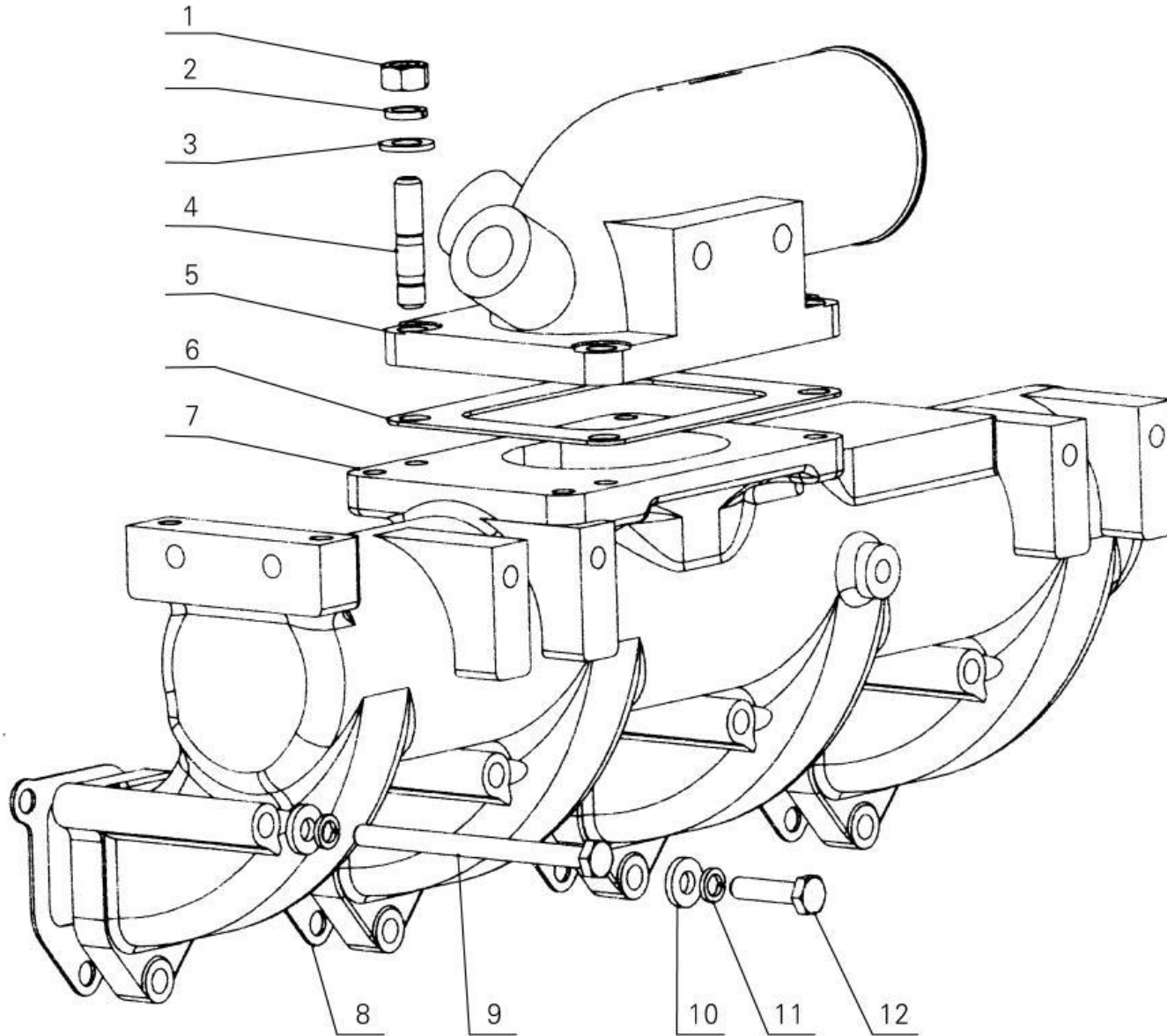
7 D30-1007000A Valve & drive train assembly



7 D30-1007000A Valve & drive train assembly

Item	Part No.	Part Names	Quantity	Remark	Item	Part No.	Part Names	Quantity	Remark
1	D30-1003111A	Intake valve	4	Damageable	23	A30-1007092	Washer	4	
2	430-1007019A	Intake valve seat	4	Damageable	24	D30-1007036	Hexagon head bolt	4	
3	150-1007021E	Valve key	16	Damageable	25	6105Q-1007054	Lock nut	8	Damageable
4	D30-1003116	Valve spring retainer	8	Damageable	26	6105QA-1007053	Valve adjusting screw	8	Damageable
5	430-1007016A	Valve stem oil seal	8	Damageable	27	6105QA-1007032	Rocker arm shaft spring	3	
6	6105Q-1007023	Valve inner spring	8	Damageable	28	J3100-1007051	Exhaust valve rocker arm	4	
7	6105Q-1007022	Valve outer spring	8	Damageable	29	J3100-1007061	Intake valve rocker arm	4	
8	430-1007018	Valve guide	8	Damageable	30	630-1007052	Rocker arm bushing	8	Damageable
9	D30-1003103A	Exhaust valve	4	Damageable					
10	430-1007021A	Exhaust valve seat	4	Damageable					
11	D30-1007081	Push rod	8	Damageable					
12	6105Q-1007091A	Tappet	8	Damageable					
13	Q43125	Snap ring 25	2						
14	6105QA-1007031	Rocker arm shaft washer	6						
15	6105QA-1007042	Bowl type plug	2						
16	D30-1007041A	Rocker arm	1						
17	6105Q-1007073	Union bolt	2						
18	D30-1007075A	Oil pipe welded part	1						
19	Q/YC149-8	Compound seal washer 8	4	Damageable					
20	D30-1007034	Rocker arm shaft seat (1)	1						
21	D30-1007031	Rocker arm shaft washer	2						
22	D30-1007033	Rocker arm shaft seat (2)	3						

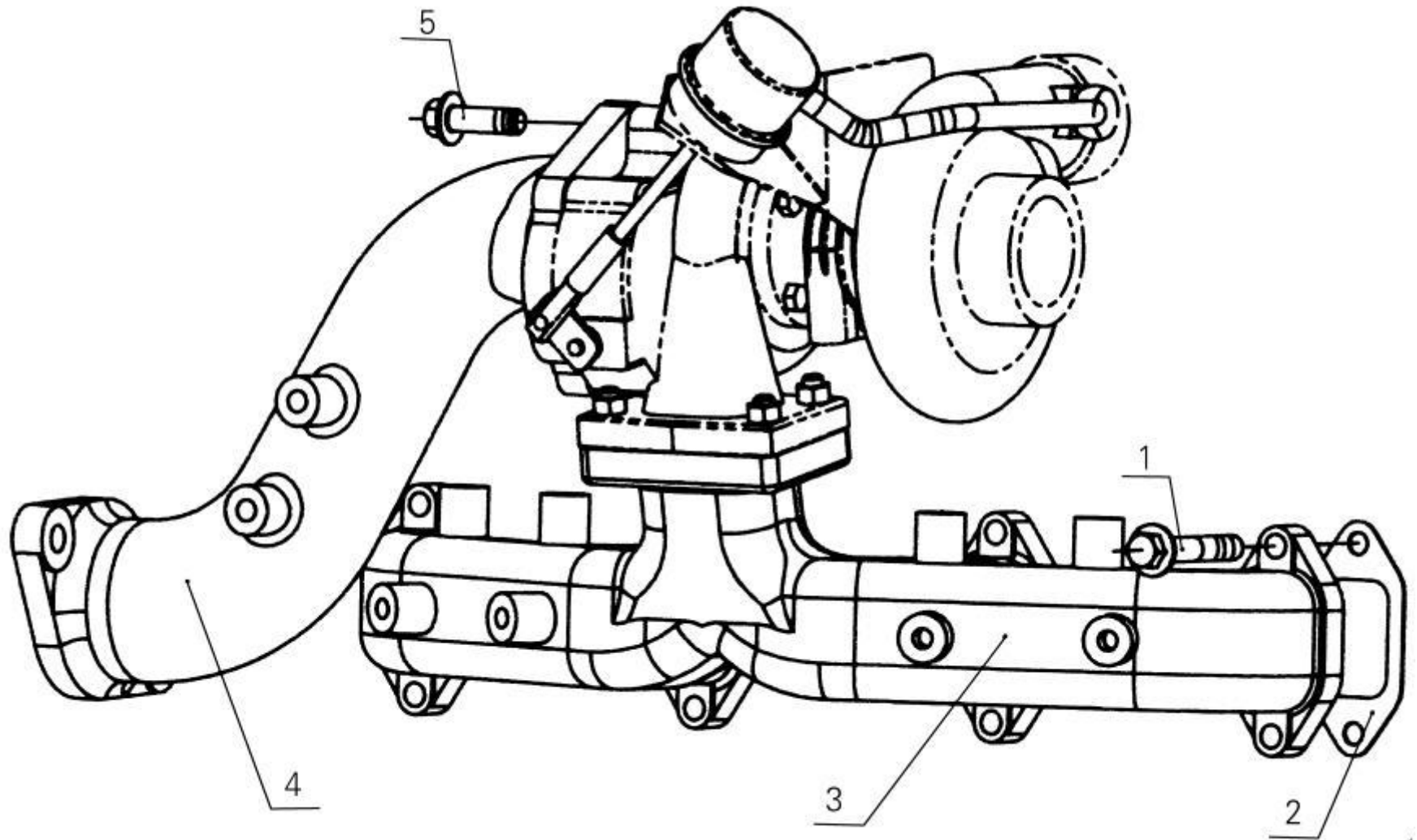
8 D0800-1008010 Intake manifold assembly



8 D0800-1008010 Intake manifold assembly

Item	Part No.	Part Names	Quantity	Remark	Item	Part No.	Part Names	Quantity	Remark
1	Q340B10	Nut M10	4						
2	Q40310	Washer 10	4						
3	Q40110	Washer 10	4						
4	Q1201035	Stud M10×35	4						
5	E0300-1008017	Intake union pipe	1						
6	1530-1008016B	Intake union pipe gasket	1	Damageable					
7	D0200-1008015C	Intake manifold	1						
8	1D30-1008011	Intake manifold gasket	1	Damageable					
9	Q150B08110	Bolt M8×110	4						
10	6105Q-3509013	Washer	12						
11	Q40308	Washer 8	12						
12	Q150B0832	Bolt M8×32	8						

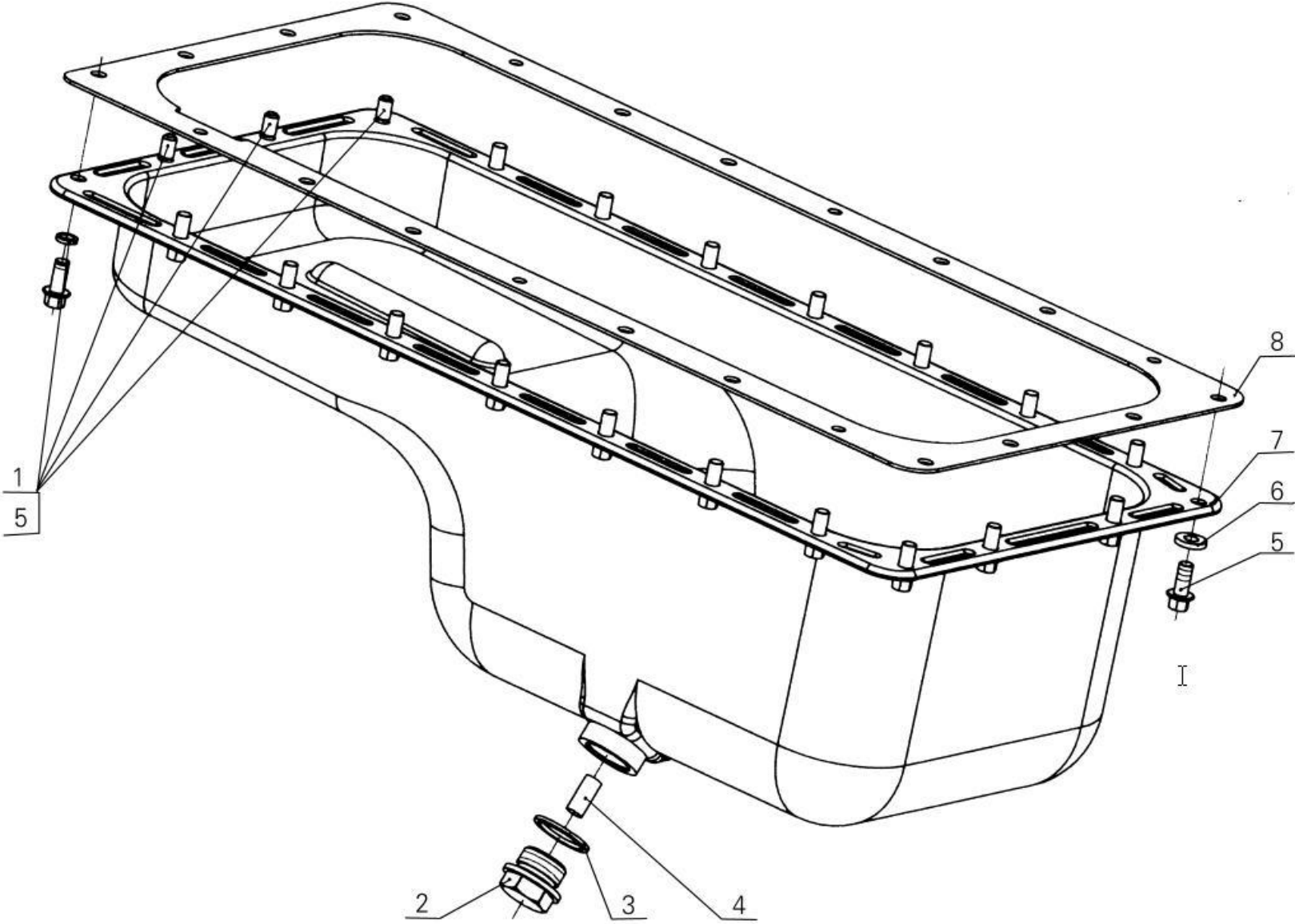
9 D0200-1008020 Exhaust manifold assembly



9 D0200-1008020 Exhaust manifold assembly

Item	Part No.	Part Names	Quantity	Remark	Item	Part No.	Part Names	Quantity	Remark
1	Q1800865TF2	Bolt M8×65	8						
2	430-1008027	Exhaust manifold gasket	4	Damageable					
3	D0200-1008101	Exhaust manifold	1						
4	D0200-1008028A	Exhaust union pipe for turbocharger	1						
5	Q150B0830TF2	Bolt M8×30	5						

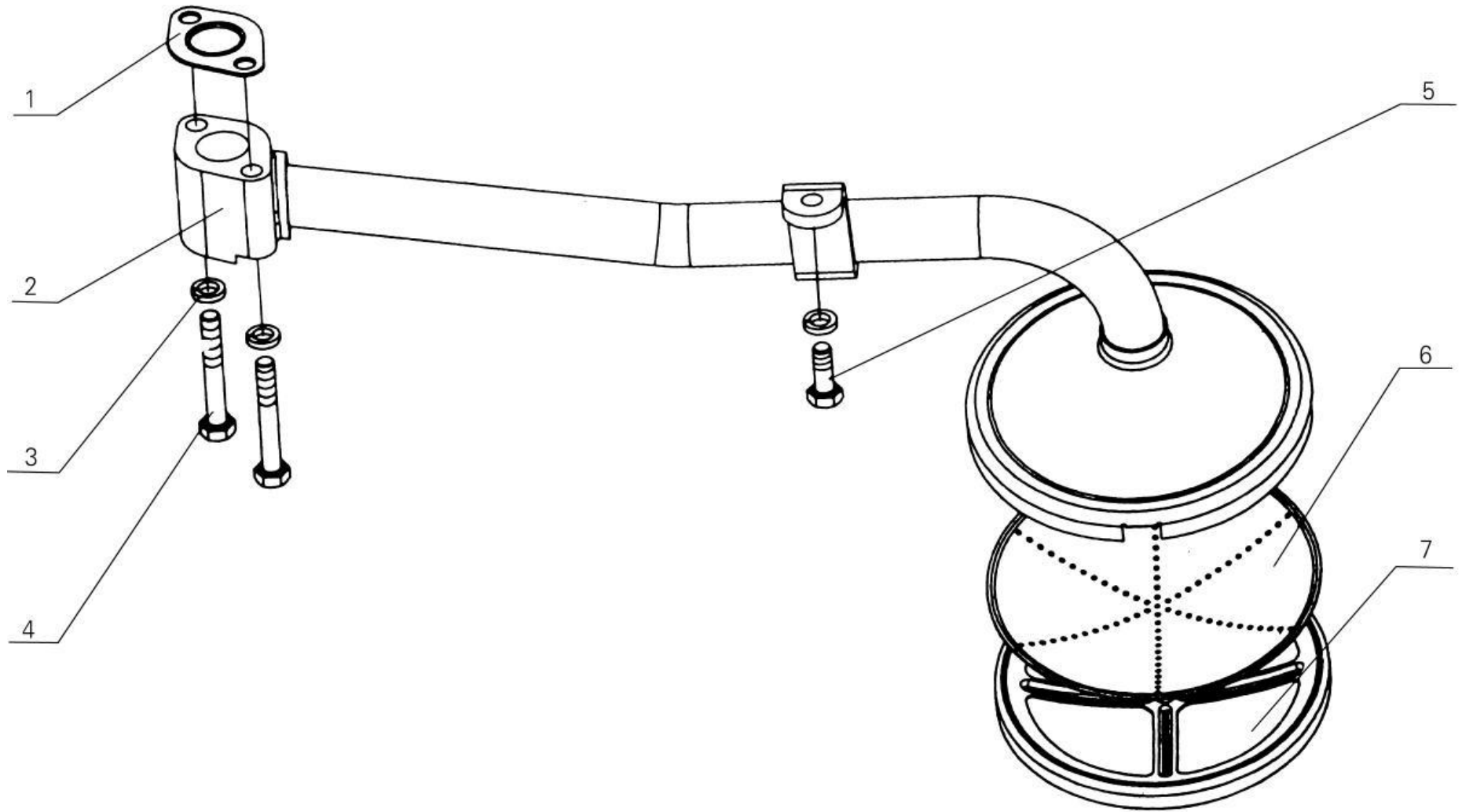
10 D30-1009000 Oil sump assembly



10 D30-1009000 Oil sump assembly

Item	Part No.	Part Names	Quantity	Remark	Item	Part No.	Part Names	Quantity	Remark
1	D30-1009102A	Washer	4						
2	6105Q-1009031C	Drain screw plug	1						
3	Q/YC149-27	Compound seal washer 27	1						
4	6105Q-1009032A	Drain screw plug magnet	1						
5	Q/YC1830820TF2	Bolt M8×20	22						
6	6105Q-3509013	Washer	18						
7	D30-1009020B	Oil sump welded part	1						
8	D30-1009011C	Oil sump gasket	1	Damageable					
9									
10								1	
11								1	

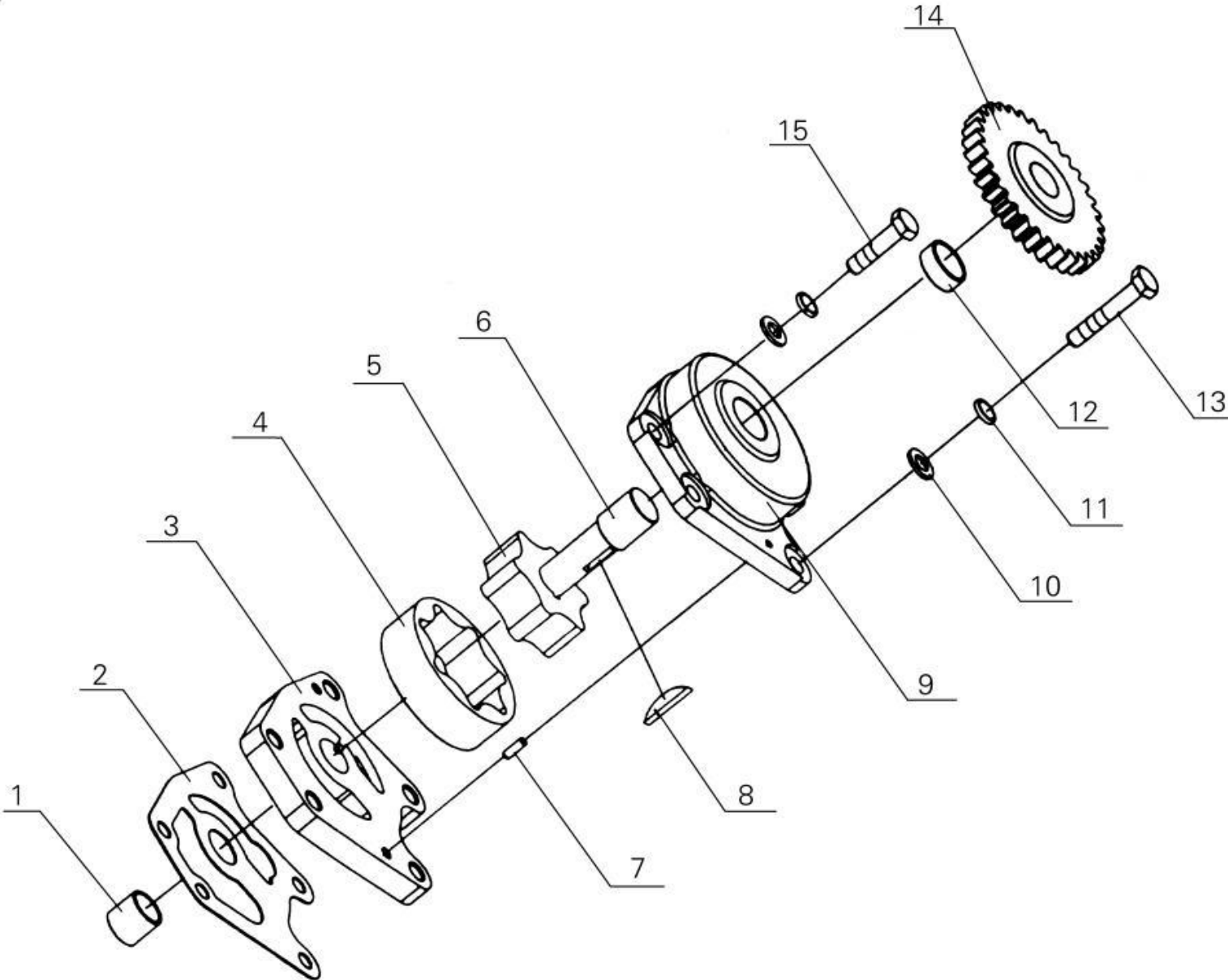
11 D30-1010000 Oil strainer assembly



11 D30-1010000 Oil strainer assembly

Item	Part No.	Part Names	Quantity	Remark	Item	Part No.	Part Names	Quantity	Remark
1	D30-1010050	Compound seal washer	1						
2	D30-1010010	Oil inlet pipe welded part	1						
3	Q40308	Washer 8	3						
4	Q150B0850TF2	Bolt M8×50	2						
5	Q150B0820TF2	Bolt M8×20	1						
6	6105QA-1010132B	Filter screen	1	Damageable					
7	6105QA-1010131A	Filter screen bracket	1						

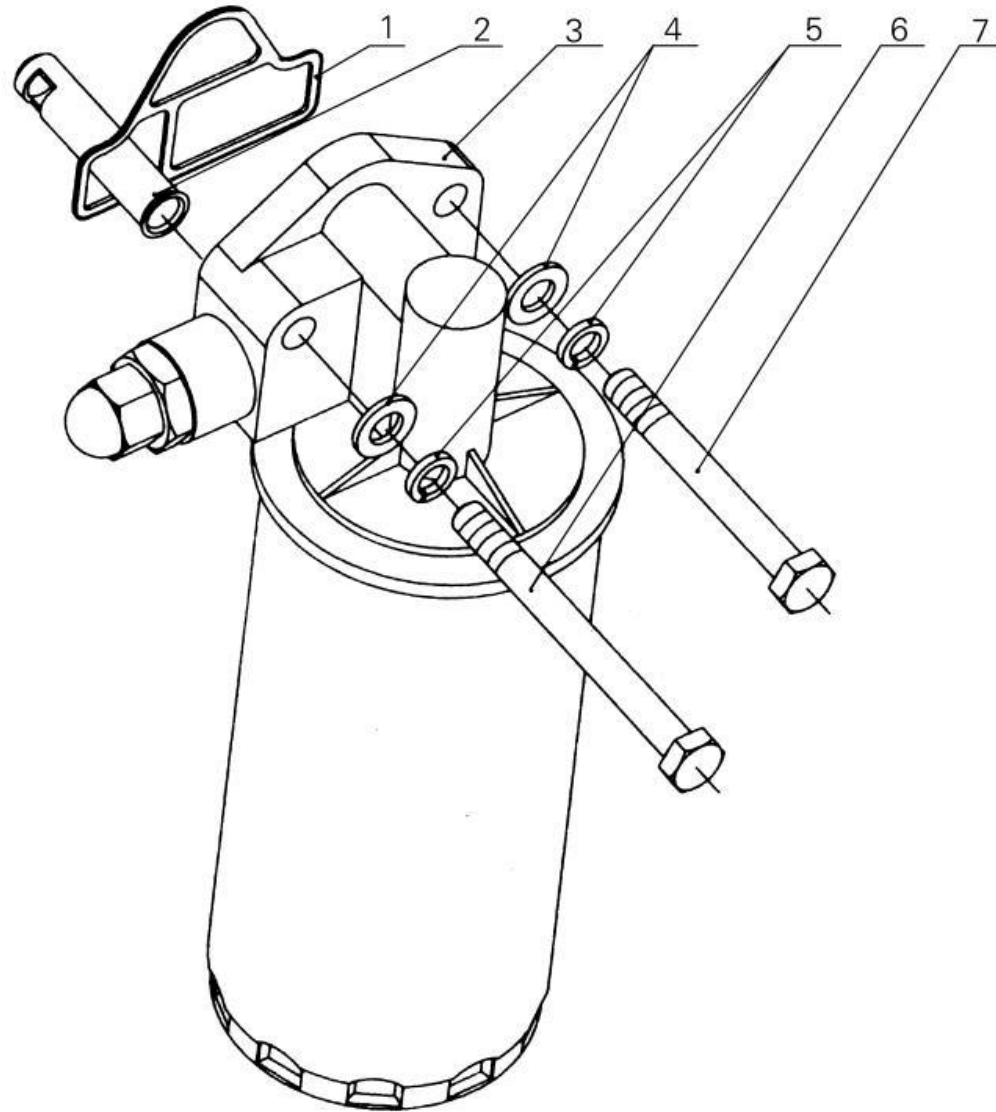
12 D30-1011000 Oil pump assembly



12 D30-1011000 Oil pump assembly

Item	Part No.	Part Names	Quantity	Remark	Item	Part No.	Part Names	Quantity	Remark
1	530-1011034	Oil pump shaft bushing (II)	1	Damageable					
2	D30-1011041A	Gasket	1	Damageable					
3	D30-1011031	Oil pump cover	1						
4	D30-1011053	Outer rotor	1						
5	D30-1011052	Inner rotor	1						
6	D30-1011051	Oil pump shaft	1						
7	Q5220412	Pin A4×12	2						
8	Q5500419	Half circle key 4×19	1	Damageable					
9	D30-1011035	Oil pump body	1						
10	Q40108	Washer 8	5						
11	Q40308	Washer 8	5						
12	530-1011033	Oil pump shaft bushing (I)	1	Damageable					
13	Q150B0845TF2	Bolt M8×45	3						
14	D30-1011011	Oil pump driven gear	1						
15	Q150B0832TF2	Bolt M8×32	2						

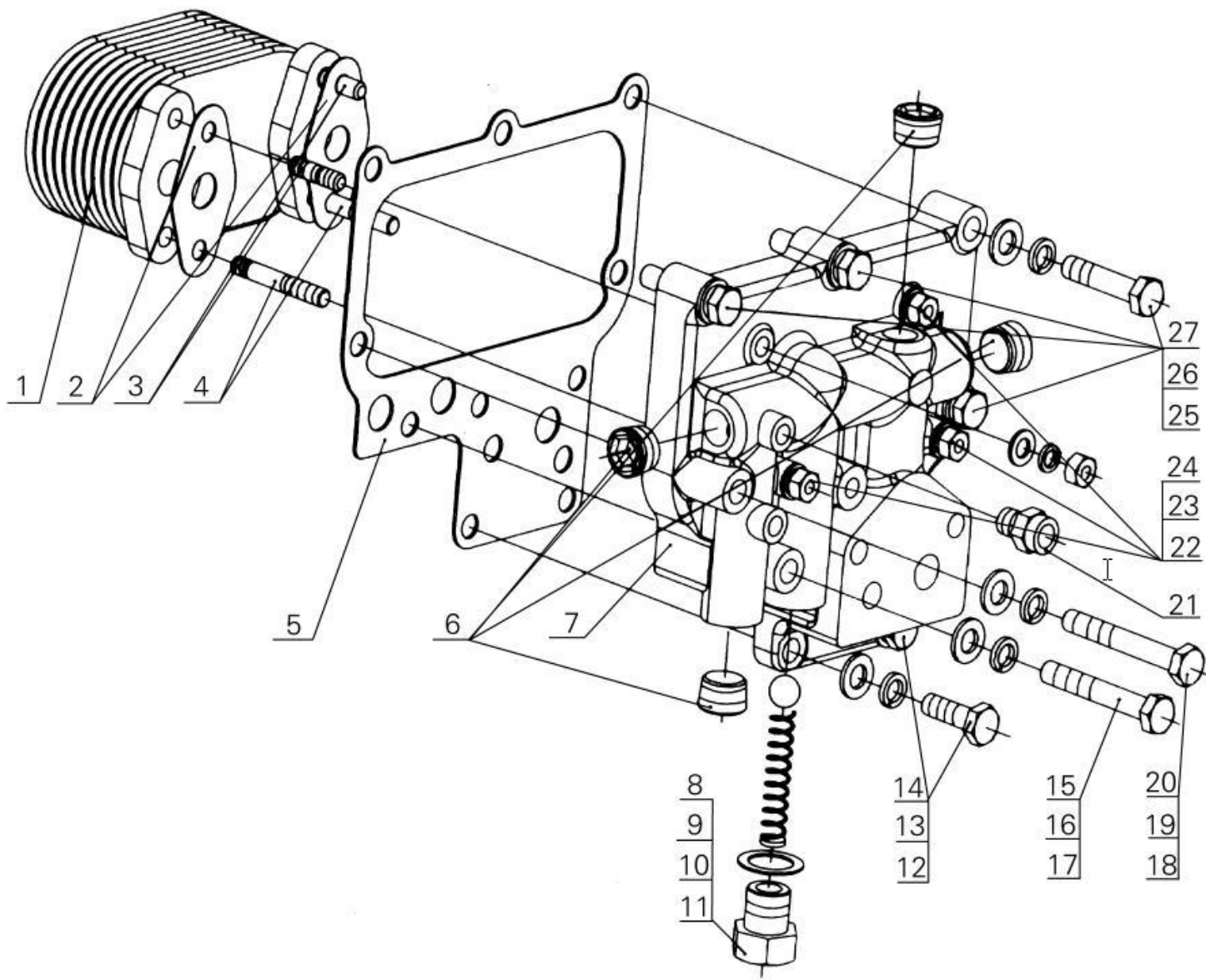
13 D30-1012000 Oil filter assembly



13 D30-1012000 Oil filter assembly

Item	Part No.	Part Names	Quantity	Remark	Item	Part No.	Part Names	Quantity	Remark
1	6105Q-1012002	Oil filter gasket	1						
2	D30-1012001A	Oil filter drain guide pipe	1						
3	D30-1012010B	Oil filter	1						
4	Q40110	Washer 10	2						
5	Q40310	Washer 10	2						
6	Q150B10105	Bolt M10×105	1						
7	Q150B1085	Bolt M10×85	1						

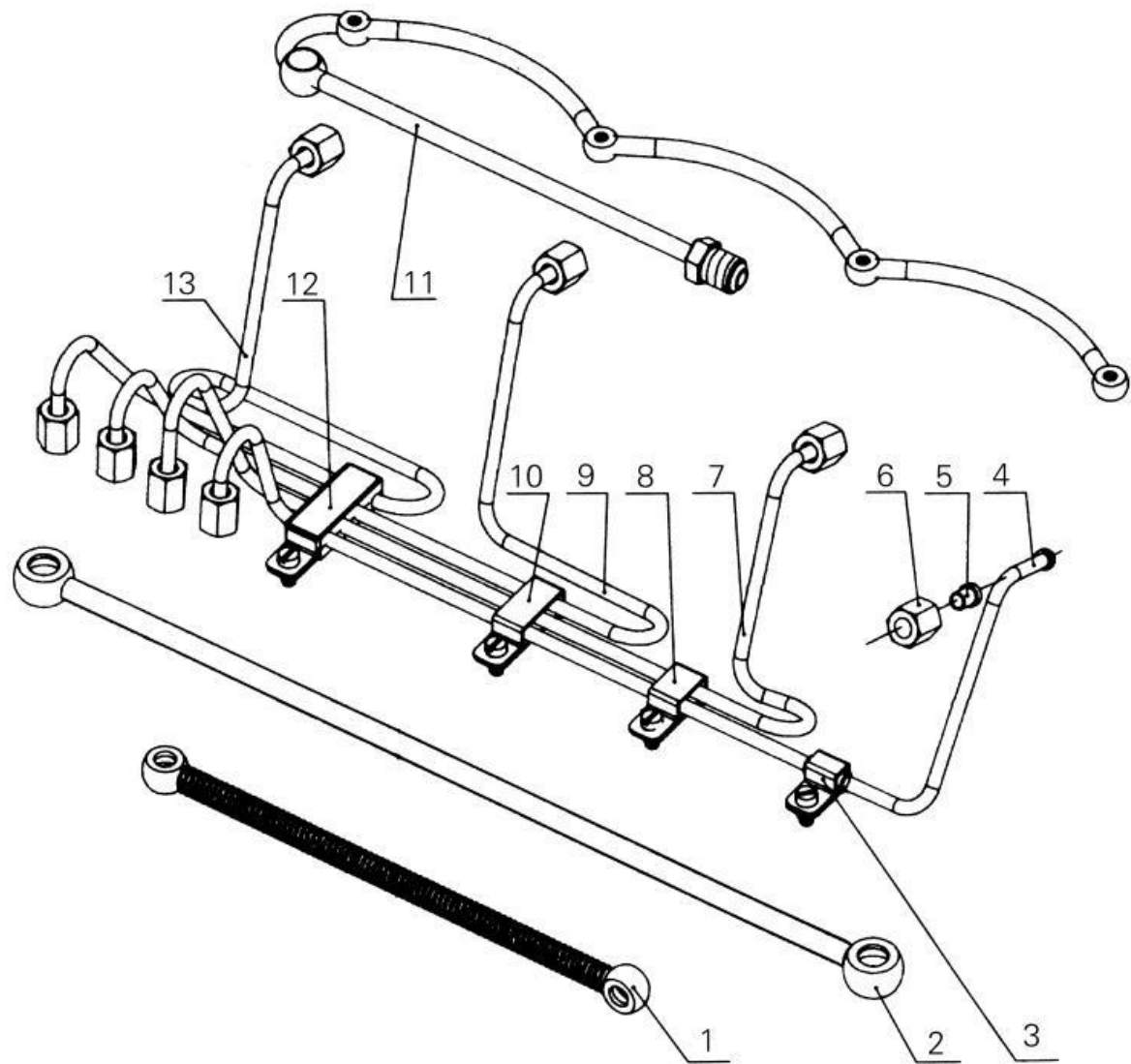
14 D30-1013000A Oil cooler assembly



14 D30-1013000A Oil cooler assembly

Item	Part No.	Part Names	Quantity	Remark	Item	Part No.	Part Names	Quantity	Remark
1	D30-1013013	Oil cooler core	1		23	Q40308	Washer 8	4	
2	D30-1013014	Gasket	2	Damageable	24	Q340B08	Nut M8	4	
3	Q1200820	Stud M8×20	2		25	Q40110	Washer 10	4	
4	Q1200845	Stud M8×45	2		26	Q40310	Washer 10	4	
5	D30-1013012A	Oil cooler cover gasket	1	Damageable	27	Q150B1045	Bolt M10×45	4	
6	Q61904	Screw plug NPT 1/2	4						
7	D30-1013011A	Oil cooler cover	1						
8	GB/T308-14G100b	Steel ball 14 G100b	1						
9	530-1013015	Bypass valve spring	1						
10	D30-1013017	Washer	1						
11	530-1013016	Bypass valve screw plug	1						
12	Q40110	Washer 10	2						
13	Q40310	Washer 10	2						
14	Q150B1030	Bolt M10×30	2						
15	Q40110	Washer 10	1						
16	Q40310	Washer 10	1						
17	Q150B1065	Bolt M10×65	1						
18	Q40110	Washer 10	1						
19	Q40310	Washer 10	1						
20	Q150B1070	Bolt M10×70	1						
21	6QA1-1002174	Pipe union	1						
22	Q40108	Washer 8	4						

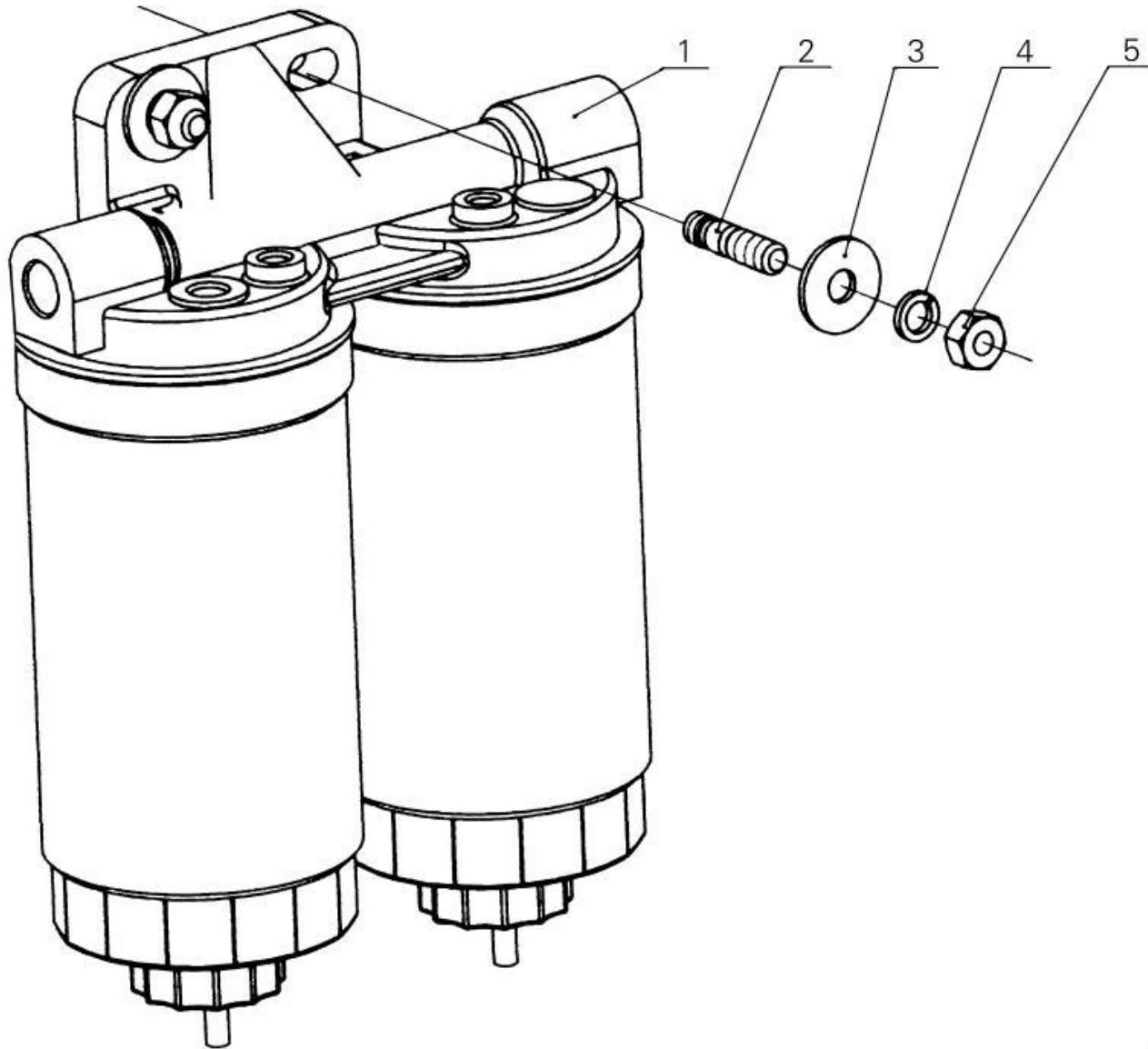
15 D0800-1104000 Fuel line assembly



15 D0800-1104000 Fuel line assembly

Item	Part No.	Part Names	Quantity	Remark	Item	Part No.	Part Names	Quantity	Remark
1	6105Q-1104100B, C	Fuel injection pump feed line assembly	1						
2	6105Q-1104090B, C	Fuel filter feed line assembly	1	Damageable					
3	D0800-1104130	One pipe clamp assembly	1	Damageable					
4	D0800-11041D1	No.4 cylinder high-pressure pipe	1						
5	150-1104019	Fuel line protecting sleeve	1	Damageable					
6	150-1104017A	Fuel high-pressure pipe union nut	8						
7	D0800-11041C1	No.3 cylinder high-pressure pipe	8						
8	D0800-1104140	Two pipes clamp assembly	1	Damageable					
9	D0800-11041B1	No.2 cylinder high-pressure pipe	1						
10	D0800-1104150	Three pipes clamp assembly	2	Damageable					
11	1D30-1104110	Fuel returning hose assembly	1						
12	E0200-1104050	Four pipes clamp assembly	1	Damageable					
13	D0800-11041A1	No.1 cylinder high-pressure pipe	1						
			1	Damageable					

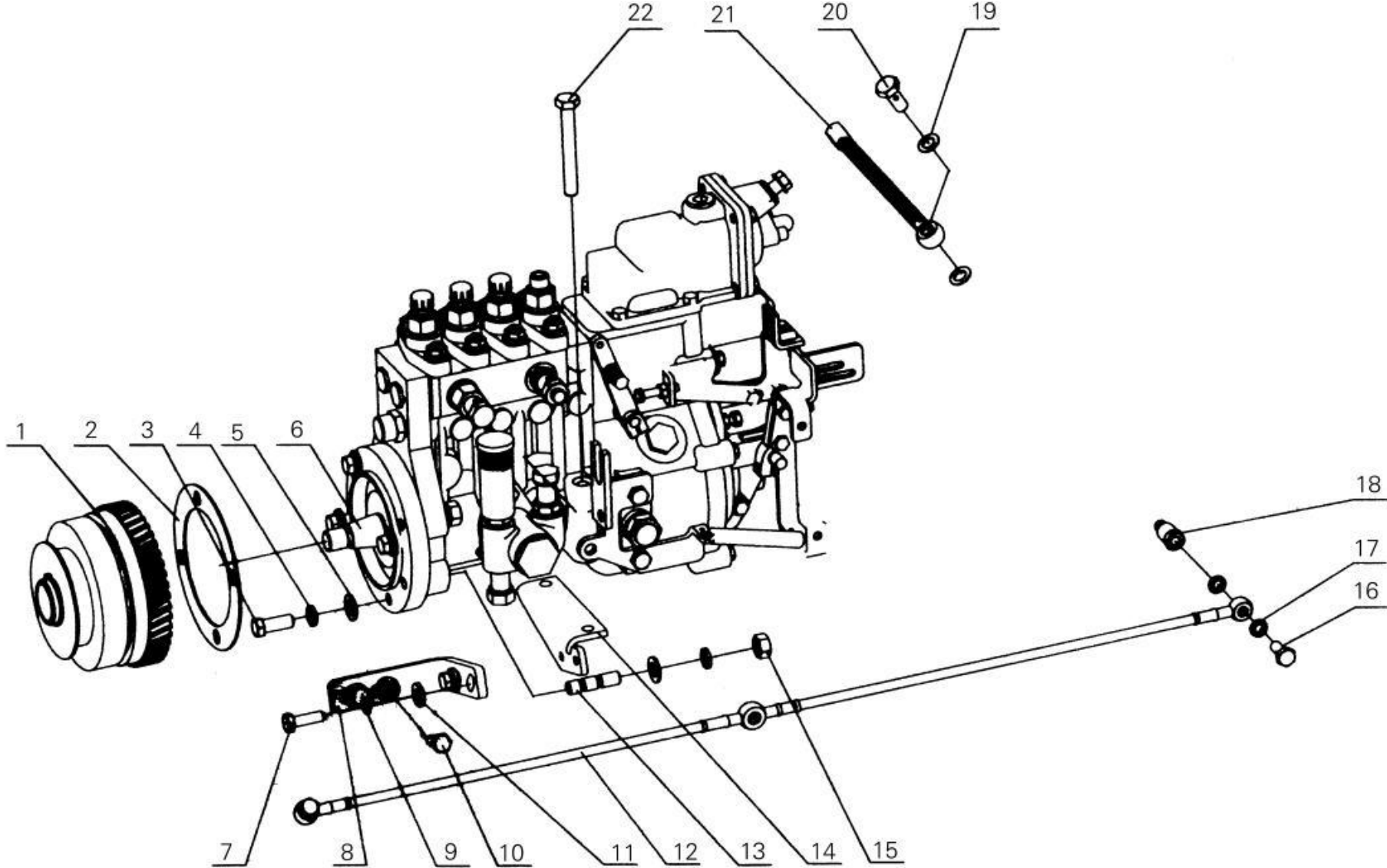
16 D0200-1105000A Fuel filter assembly



16 D0200-1105000A Fuel filter assembly

Item	Part No.	Part Names	Quantity	Remark	Item	Part No.	Part Names	Quantity	Remark
1	231-1105010	Fuel filter	1						
2	Q1200825	Stud M8×25	2						
3	6105Q-3509013	Washer	2						
4	Q40308	Washer 8	2						
5	Q340B08	Nut M8	2						

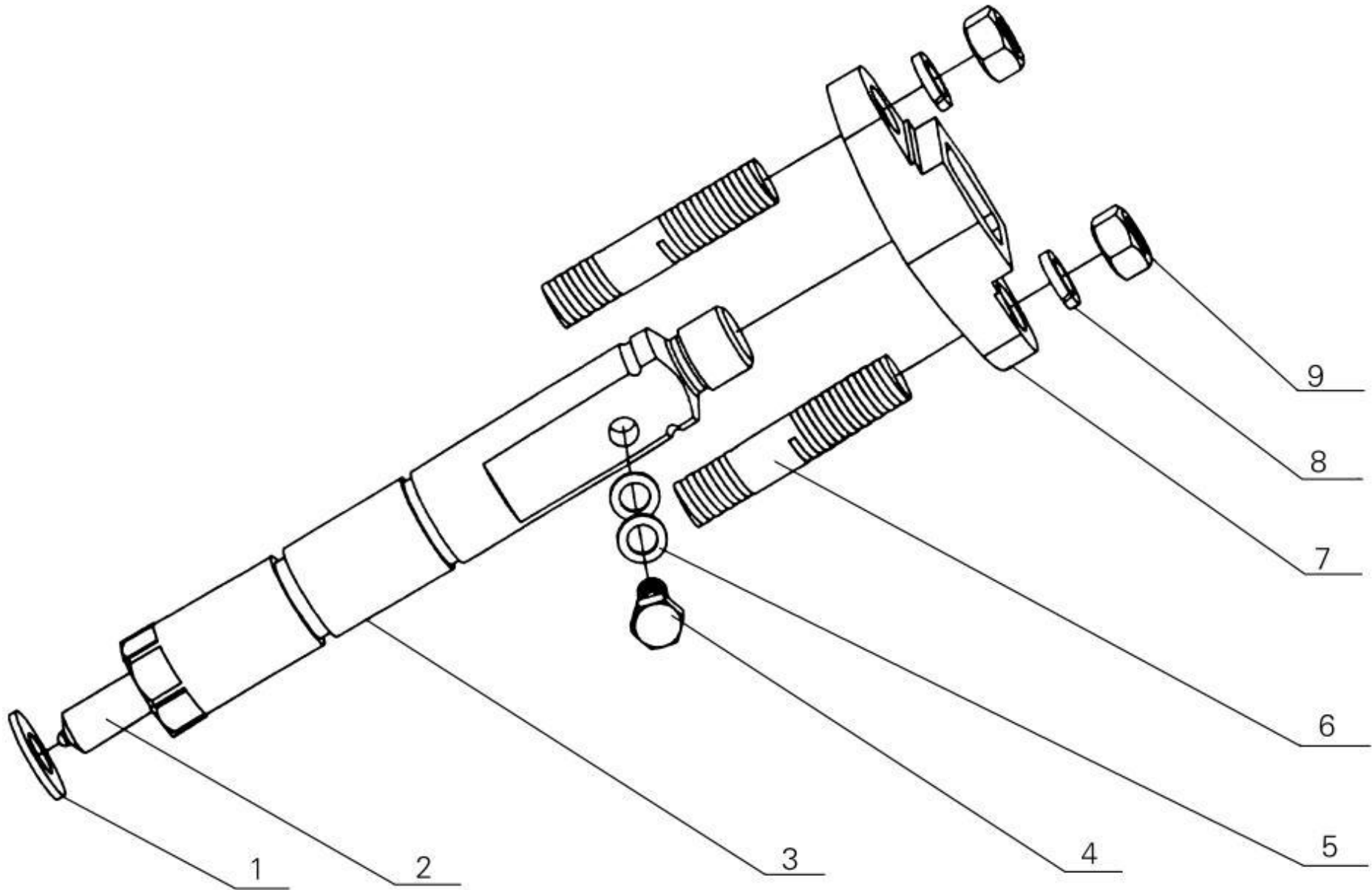
17 D0800-1111000 Fuel injection pump assembly



17 D0800-1111000 Fuel injection pump assembly

Item	Part No.	Part Names	Quantity	Remark	Item	Part No.	Part Names	Quantity	Remark
1	D0800-1111070	Injection timing device	1	Optional	20	Q/YC901-1C1010	Hinged bolt M10×1	1	
	D0800-1111070A	Injection timing device	1	Optional	21	1D30-1111090	Turbocharger compensation pipe	1	
2	D30-1111062A	Connecting plate gasket	1		22	Q150B1075	Bolt M10×75	2	
3	Q150B1025TF2	Bolt M10×25	4						
4	Q40310	Washer 10	8						
5	Q40110	Washer 10	8						
6	D0800-1111050	Fuel injection pump part	1	Optional					
	D0800-1111050A	Fuel injection pump part	1	Optional					
	D0800-1111050B	Fuel injection pump part	1	Optional					
7	Q150B0820	Stud M8×20	2						
8	D0800-1111242	Bracket	1						
9	Q40308	Washer 8	4						
10	Q150B0825	Bolt M8×25	2						
11	330-3701035	Washer	4						
12	D30-1111040	Oil pipe part for fuel injection pump	1						
13	Q1201030TF2	Stud M10×30	4						
14	D0800-1111241	Bracket	1						
15	Q3400B10	Nut M10	4						
16	Q/YC901-1C0810	Hinged bolt M8×1	2						
17	D30-1111062A	Compound seal washer 8	4						
18	Q40110	Union seat	1						
19	Q40310	Washer 10	4						

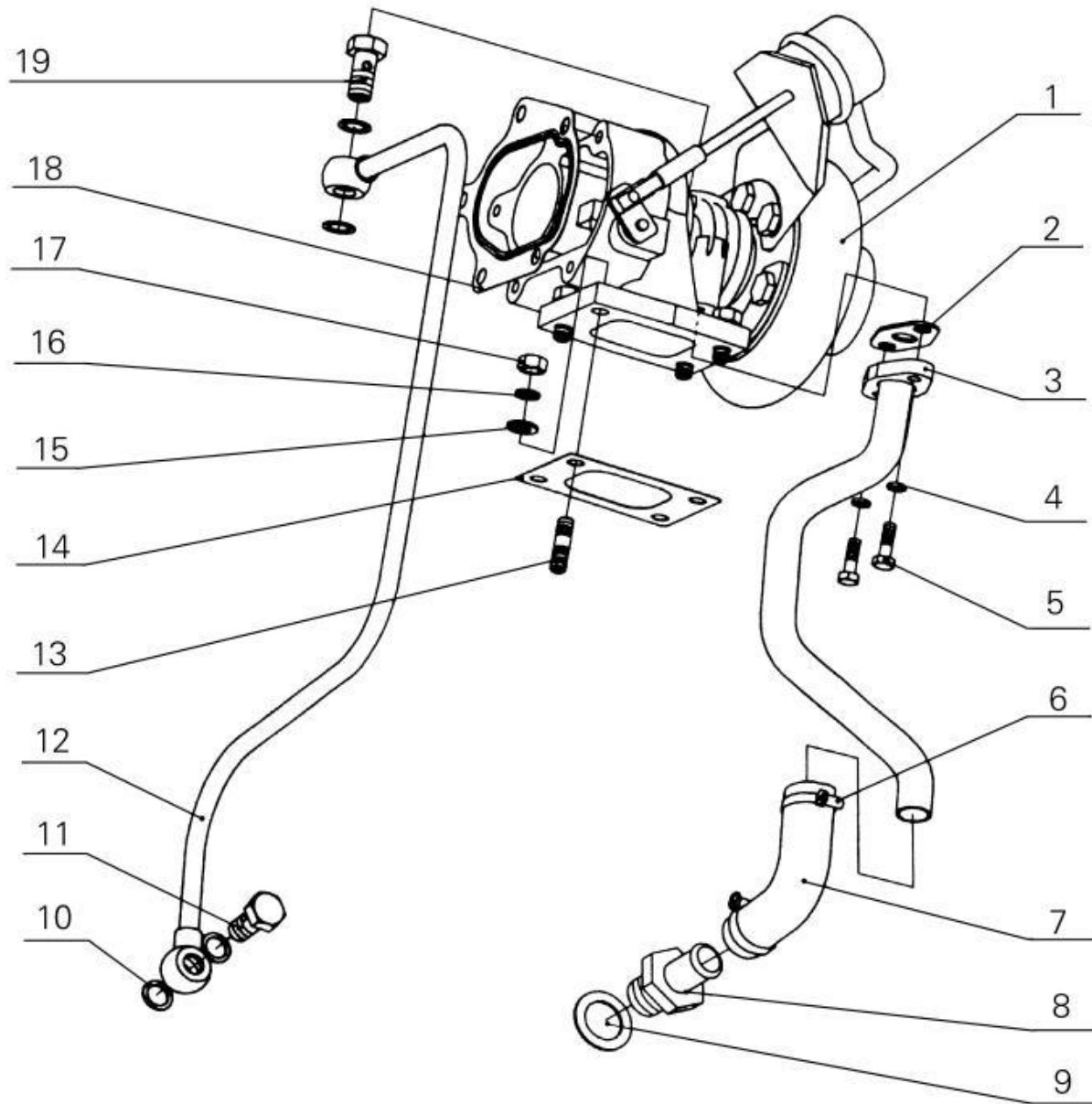
18 D0800-1112000 Fuel injector assembly



18 D0800-1112000 Fuel injector assembly

Item	Part No.	Part Names	Quantity	Remark	Item	Part No.	Part Names	Quantity	Remark
1	6105QA-1112013	Injector gasket	N	Damageable					
2	D0800-1112011	Injection nozzle precision parts	4	Damageable					
3	D0800-1112010	Injector	4						
4	150-1112012	Bolt	4						
5	150-1112011	Washer	8						
6	Q1201035	Stud M10×35	8						
7	A30-1112022A	Fastening plate	4						
8	Q40310	Washer 10	8						
9	Q340B10	Nut M10	8						

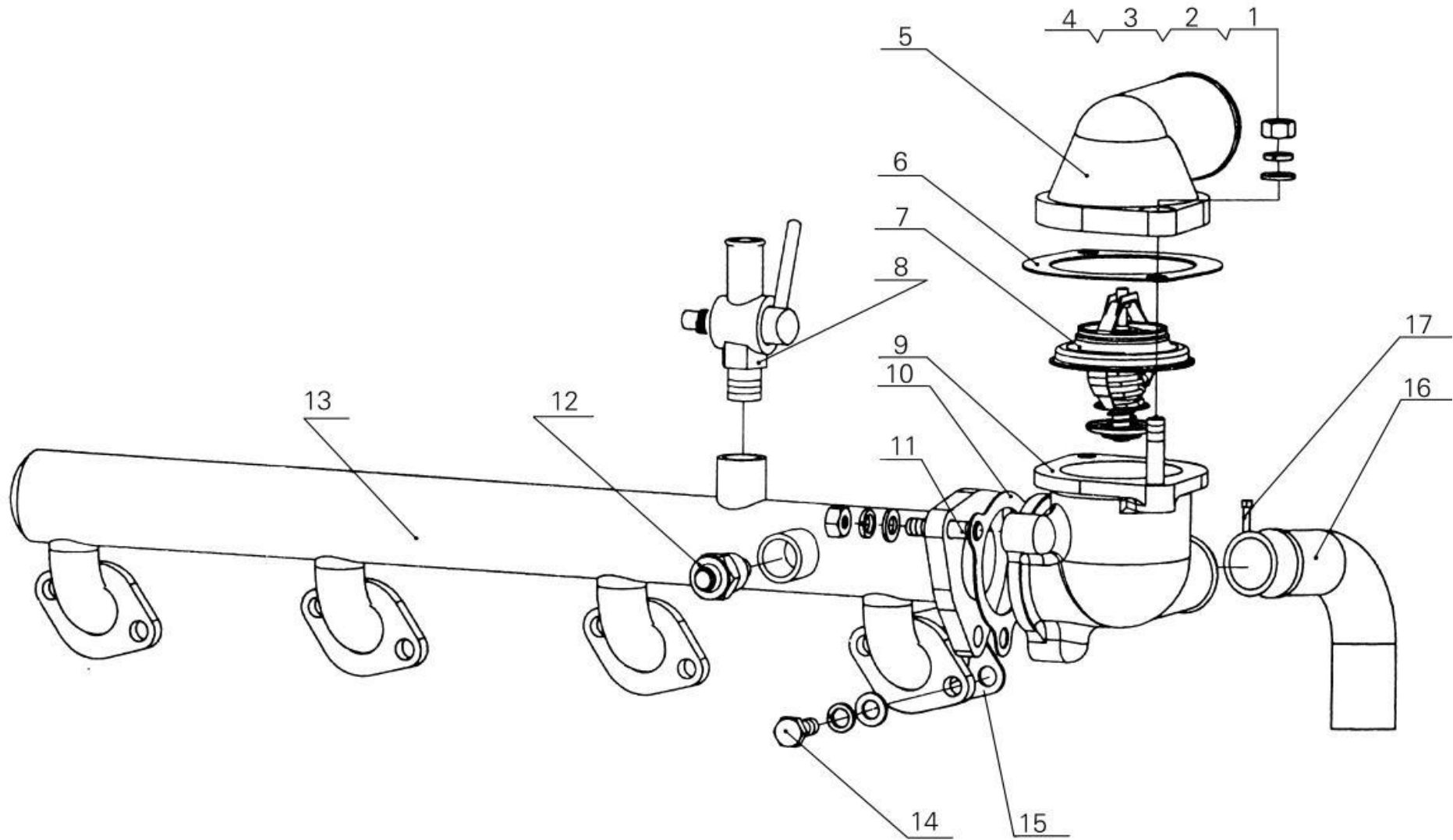
19 D0200-1118000 Turbocharger assembly



19 D0200-1118000 Turbocharger assembly

Item	Part No.	Part Names	Quantity	Remark	Item	Part No.	Part Names	Quantity	Remark
1	D0200-1118020A	Turbocharger	1						
2	150-1118031A	Gasket	1	Damageable					
3	D0200-1118060	Turbocharger oil returning pipe welded part	1						
4	Q40306	Washer 6	2						
5	Q150B0620	Bolt M6×20	2						
6	Q67527	Circlip 27	2						
7	D0300-1118053	Oil returning pipe protection sleeve	1	Damageable					
8	1530-1118052	Oil returning pipe union bolt	1						
9	150-1118031A	Gasket	1						
10	Q/YC901-3C12	Washer 12	4						
11	D0200-1118031	Hollow bolt for oil	2						
12	D0300-1118040	Oil inlet pipe welded part	1						
13	E0200-1118011	Stud	4						
14	1530-1118012	Turbocharger gasket	1						
15	Q40108	Washer 8	4						
16	Q40308	Washer 8	4						
17	E0200-1118013	Nut M8×1	4						
18	1530-1118072A	Exhaust union pipe gasket	1						
19	393-1118001	Hollow bolt for oil	1						

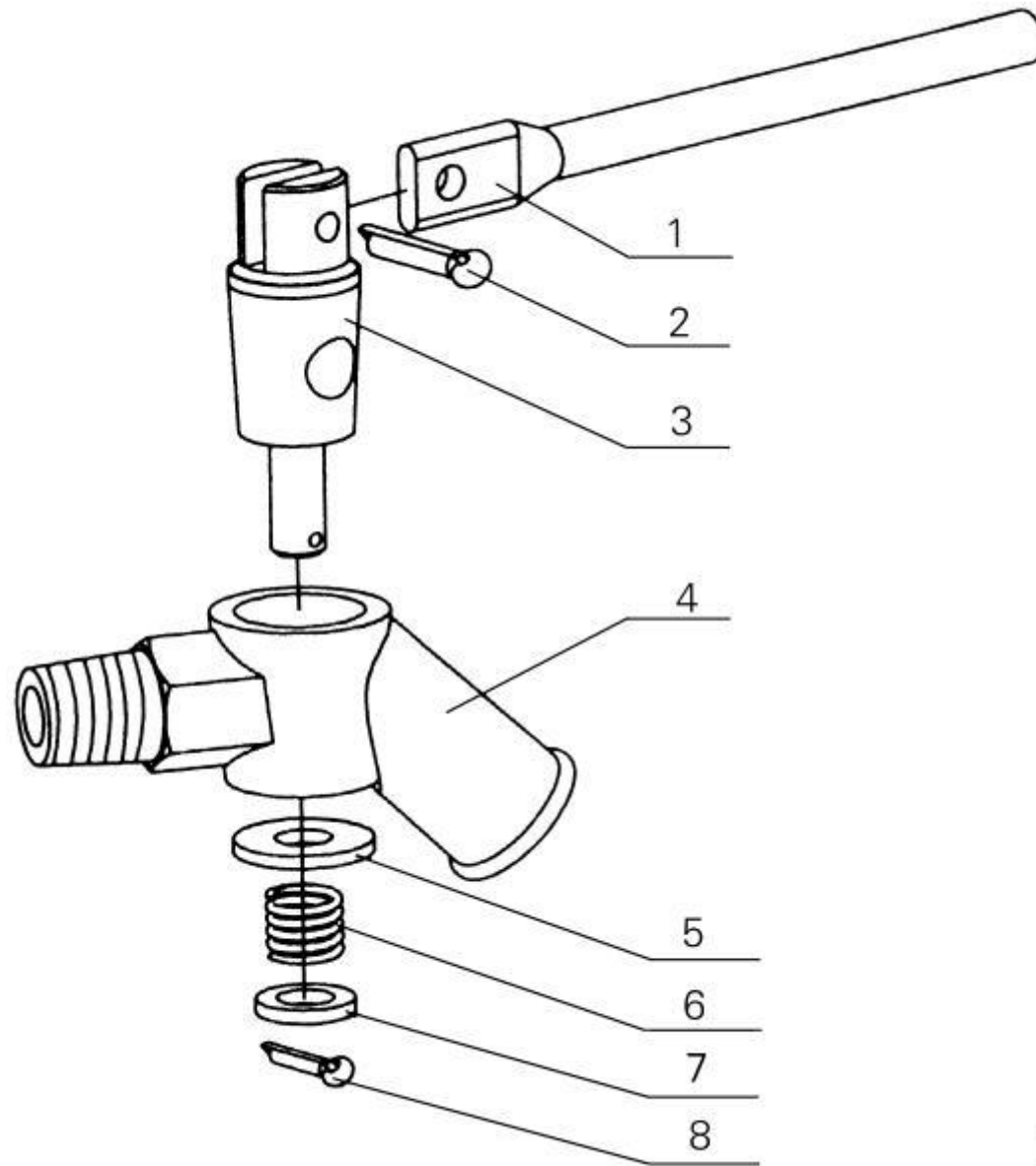
20 D30-1303000 Water outlet pipe assembly



20 D30-1303000 Water outlet pipe assembly

Item	Part No.	Part Names	Quantity	Remark	Item	Part No.	Part Names	Quantity	Remark
1	Q340B08	Nut M8	5						
2	Q40308	Washer 8	13						
3	Q40008	Washer 8	13						
4	Q1200825	Stud M8×25	2						
5	D30-1303011	Thermostat cover	1						
6	A3000-1303012	Thermostat cover gasket	1	Damageable					
7	6105QA-1306010	Wax thermostat	1	Damageable					
8	6105Q-1305100	Water inlet cock assembly for heater	1						
9	630-1303014	Thermostat seat	1						
10	6105Q-1303013	Thermostat seat gasket	1	Damageable					
11	Q1200822	Stud M8×22	3						
12	365C-3800020	Water temperature sensor	1	Damageable					
13	D30-1303020C	Water outlet pipe parts	1						
14	Q150B0820	Bolt M8×20	8						
15	6105Q-1303015	Water outlet manifold gasket	1	Damageable					
16	D30-1306016	Water returning hose	1	Damageable					
17	Q67545	Circlip 45	2						

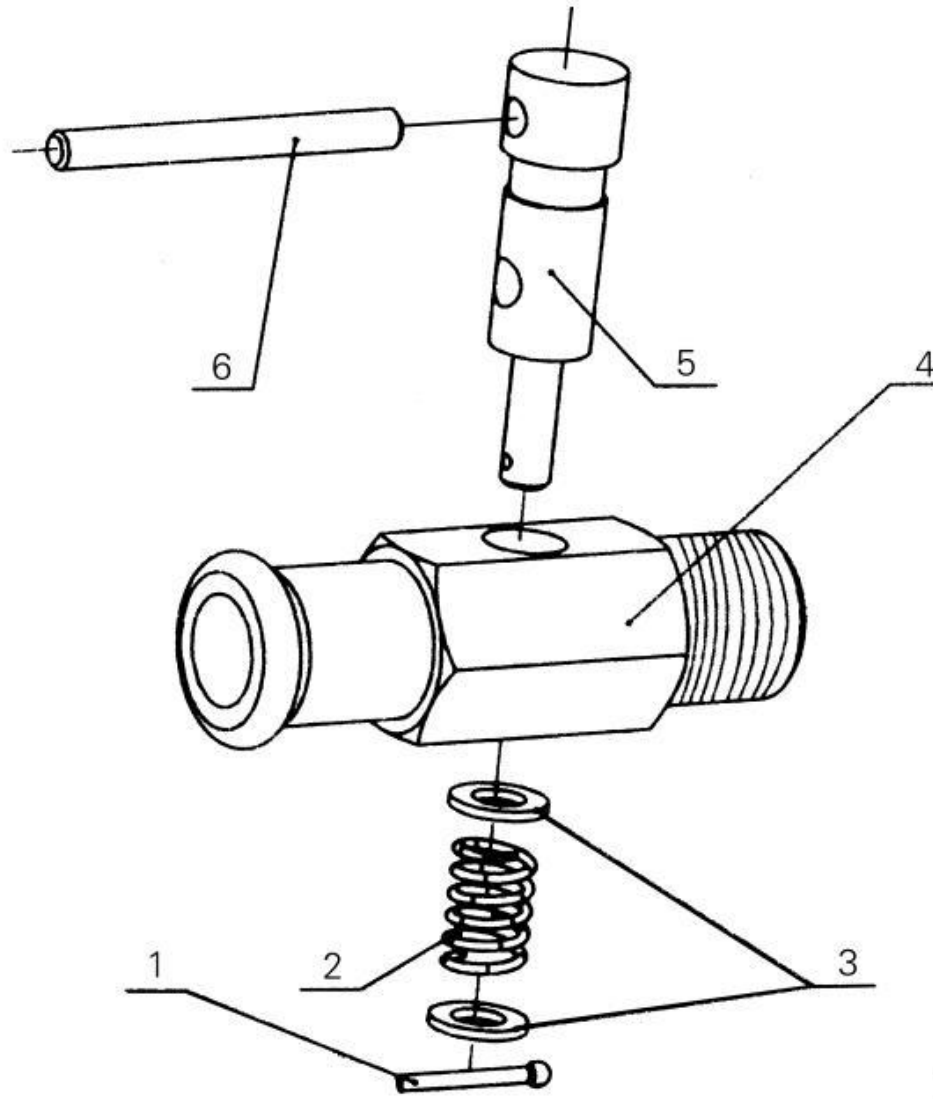
21 631-1305000 Water drain cock assembly



20 631-1305000 Water drain cock assembly

Item	Part No.	Part Names	Quantity	Remark	Item	Part No.	Part Names	Quantity	Remark
1	631-1305015	Water drain cock handle	1						
2	Q5003225	Pin 3.2×25	1						
3	6105Q-1305014	Drain valve core	1						
4	6105Q-1305013	Drain valve body	1						
5	6105Q-1305012	Washer	1						
6	6105Q-1305011	Spring	1						
7	Q40006	Washer 6	1						
8	Q5001610	Pin 1.6×10	1						

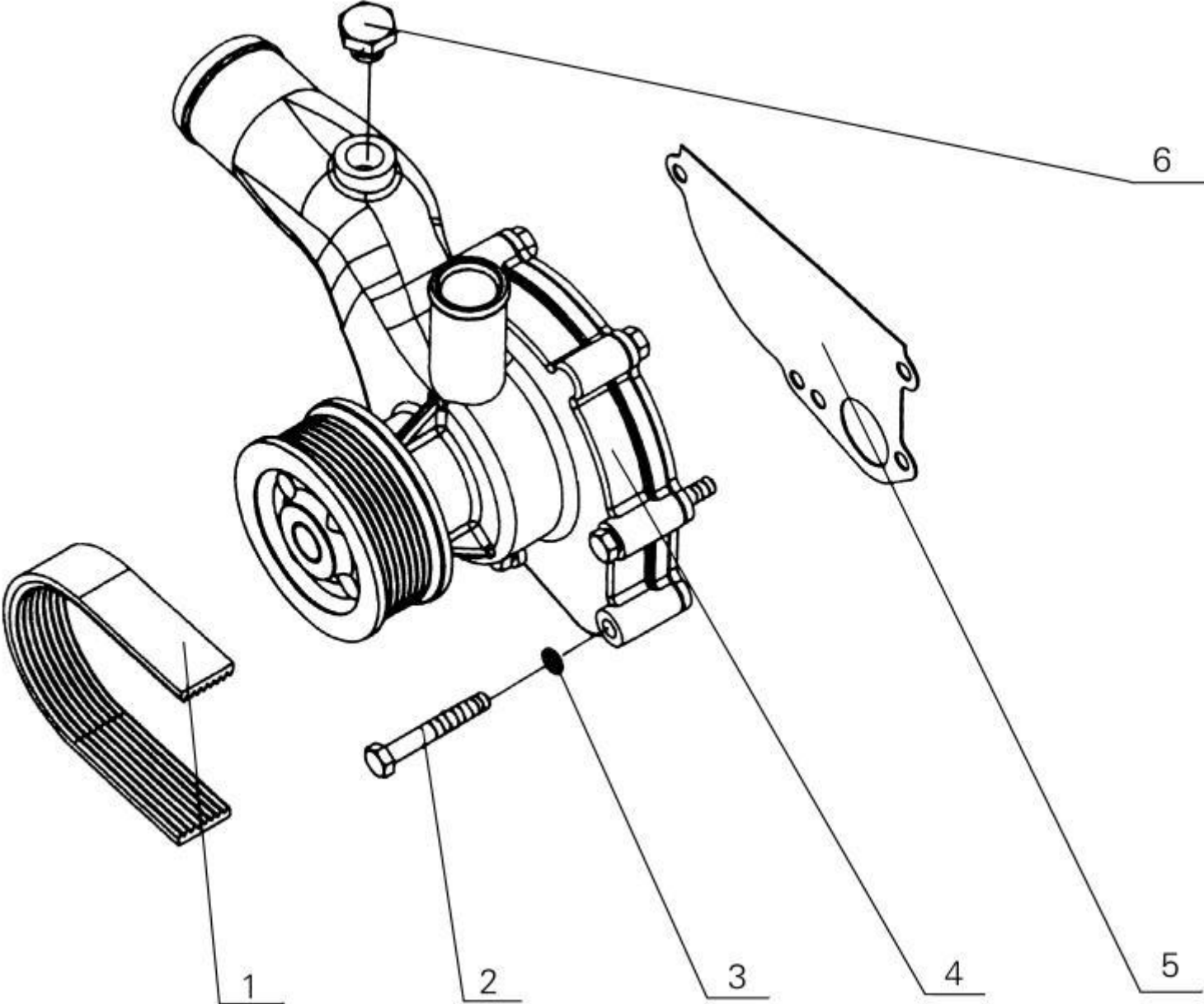
22 6105Q-1305100 Water inlet cock assembly for heater



22 6105Q-1305100 Water inlet cock assembly for heater

Item	Part No.	Part Names	Quantity	Remark	Item	Part No.	Part Names	Quantity	Remark
1	Q5001612	Cotter pin 1.6×12	1						
2	6105Q-1305103	Spring	1						
3	Q40105	Washer 5	2						
4	6105Q-1305101	Valve body	1						
5	6105Q-1305102	Valve core	1						
6	6105Q-1305104	Control lever	1						

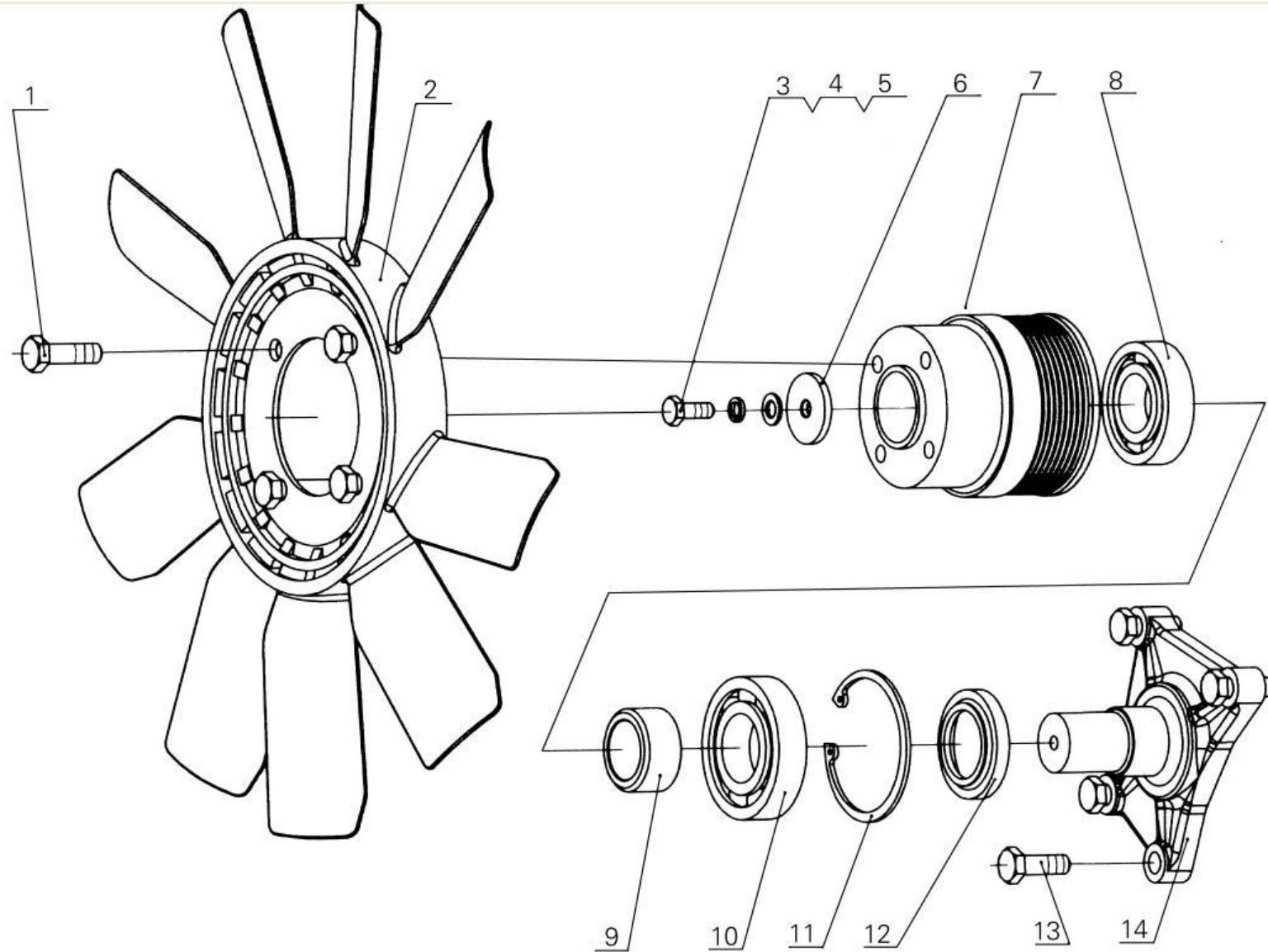
23 D30-1307000 Water pump assembly



23 D30-1307000 Water pump assembly

Item	Part No.	Part Names	Quantity	Remark	Item	Part No.	Part Names	Quantity	Remark
1	D30-1307042A	V-ribbed belt	1	Damageable					
2	Q150B0850	Bolt M8×50	4						
3	Q40308	Washer 8	4						
4	D30-1307020C	Water pump	1						
5	D30-1307026A	Water pump gasket	1	Damageable					
6	Q618B03	Screw plug NPT3/8	1						

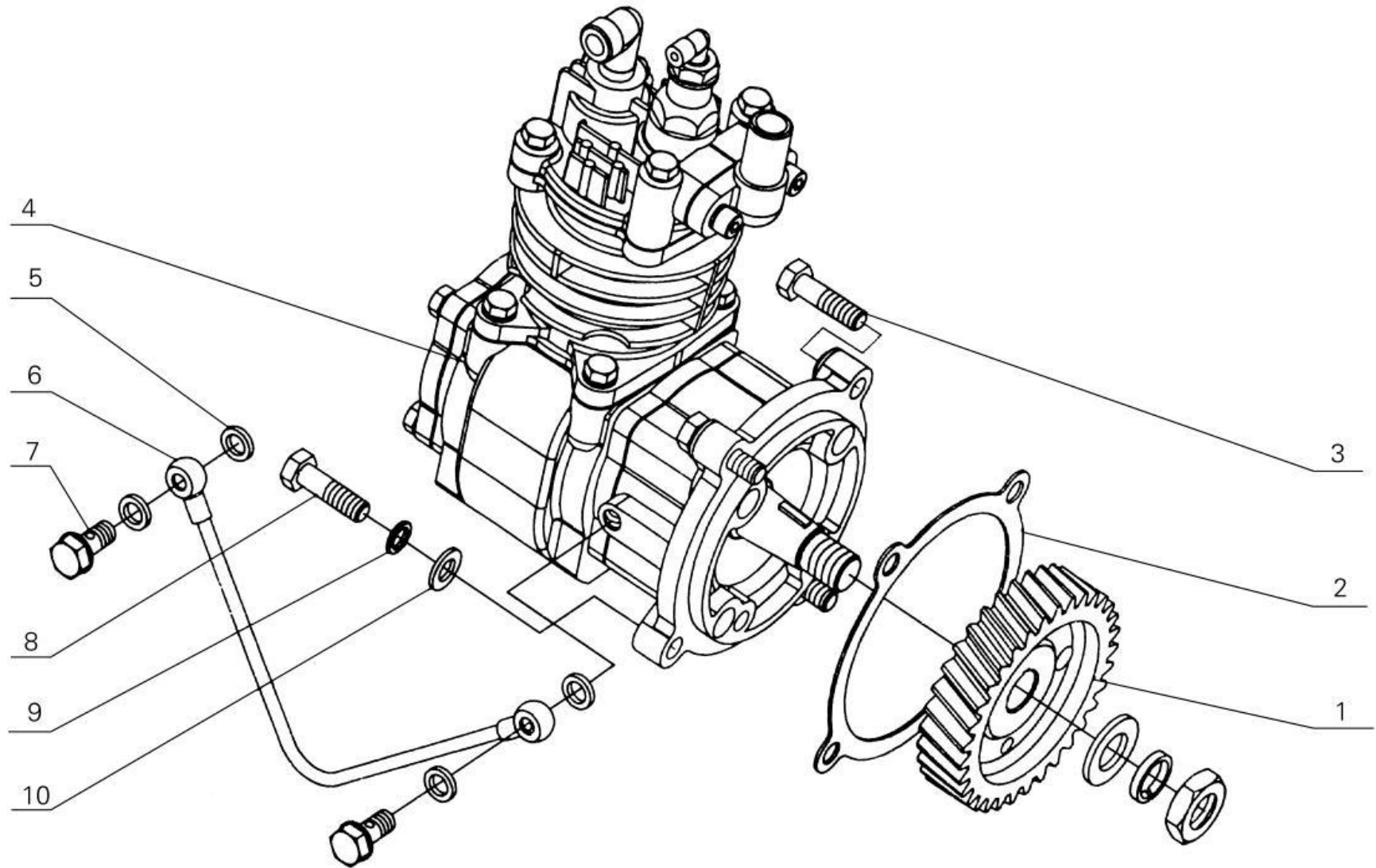
24 D0200-1308000 Fan assembly



24 D0200-1308000 Fan assembly

Item	Part No.	Part Names	Quantity	Remark	Item	Part No.	Part Names	Quantity	Remark
1	Q1841030TF2	Bolt M10×30	4						
2	6105Q-1308010B, C	Fan parts	1						
3	Q40108	Washer 8	1						
4	Q40308	Washer 8	1						
5	Q150B0820	Bolt M8×20	1						
6	D30-1308021	Protecting plate	1						
7	D0200-1308022	Belt pulley	1						
8	GB/T276-6206-2RD	Antifriction bearing 6206-2RD	1						
9	D30-1308023	Spacer (I)	1						
10	GB/T276-6207-2RD	Antifriction bearing 6207-2RD	1						
11	Q43072	Snap ring 72	1						
12	D30-1308024	Spacer (II)	1						
13	Q1841020TF2	Bolt M10×20	4						
14	D30-1308025	Fan shaft	1						

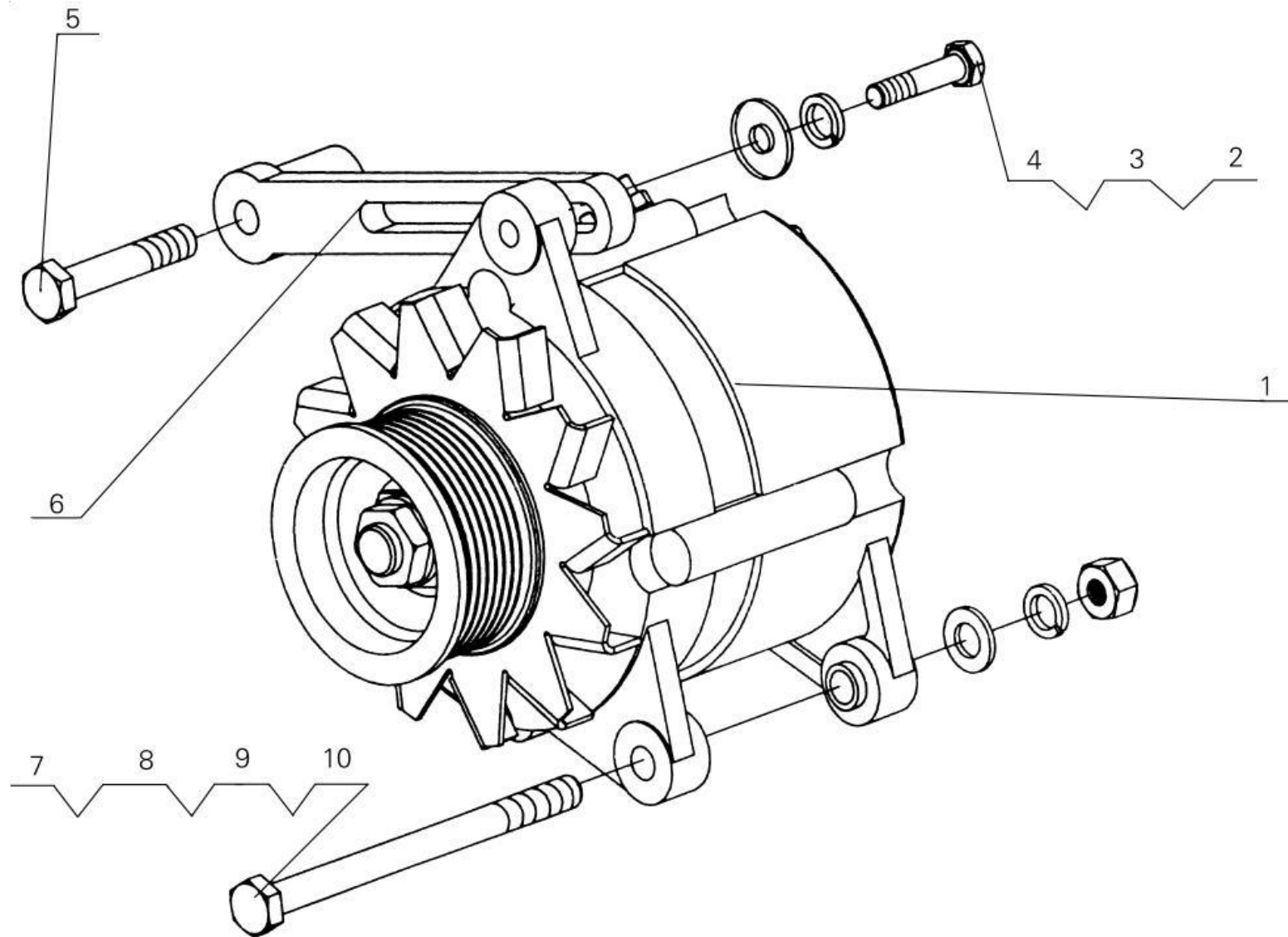
25 D0200-3509000 Air compressor assembly



25 D0200-3509000 Air compressor assembly

Item	Part No.	Part Names	Quantity	Remark	Item	Part No.	Part Names	Quantity	Remark
1	D30-3509011	Air compressor gear	1						
2	D30-3509001A	Air compressor gasket	1	Damageable					
3	Q151B1030	Bolt M10×1×30	1						
4	D30-3509010A	Air compressor	1						
5	Q/YC149-8	Compound sealing washer 8	4	Damageable					
6	D30-3509030	Air compressor oil inlet pipe welded part	1						
7	6105Q-1007073	Union bolt	1						
8	Q150B1035	Bolt M10×35	3						
9	Q40310	Washer 10	4						
10	Q40110	Washer 10	4						

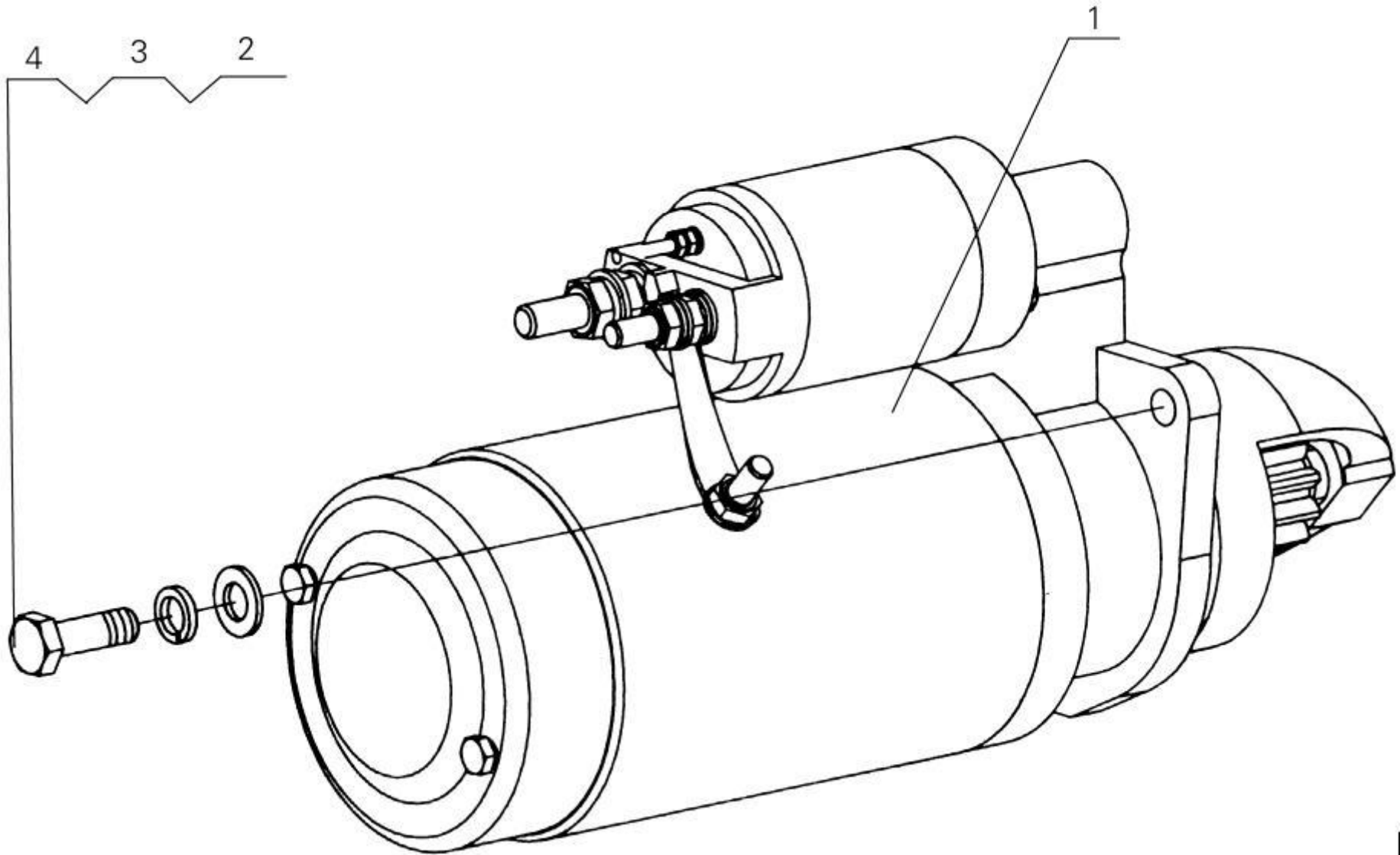
26 D30-3701000 Charging generator assembly



26 D30-3701000 Charging generator assembly

Item	Part No.	Part Names	Quantity	Remark	Item	Part No.	Part Names	Quantity	Remark
1	D30-3701010	Charging generator	1						
2	Q150B0830	Bolt M8×30	1						
3	Q40308	Washer 8	1						
4	6105Q-3509013	Washer	1						
5	Q151B10100	Bolt M10×100	1						
6	D30-3701030A	Charging generator adjusting plate	1						
7	Q150B10130	Bolt M10×130	1						
8	Q40310	Washer 10	1						
9	Q40110	Washer 10	1						
10	Q340B10	Nut M10	1						

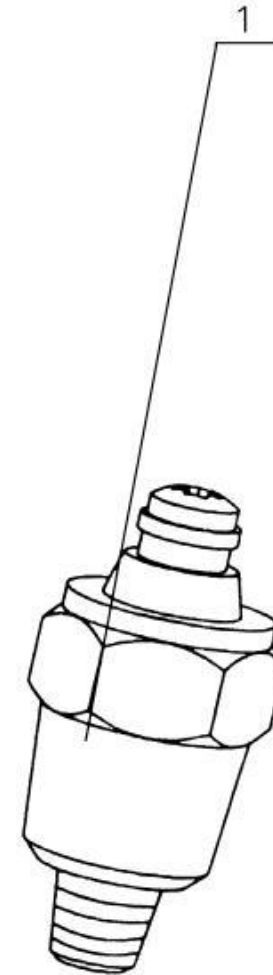
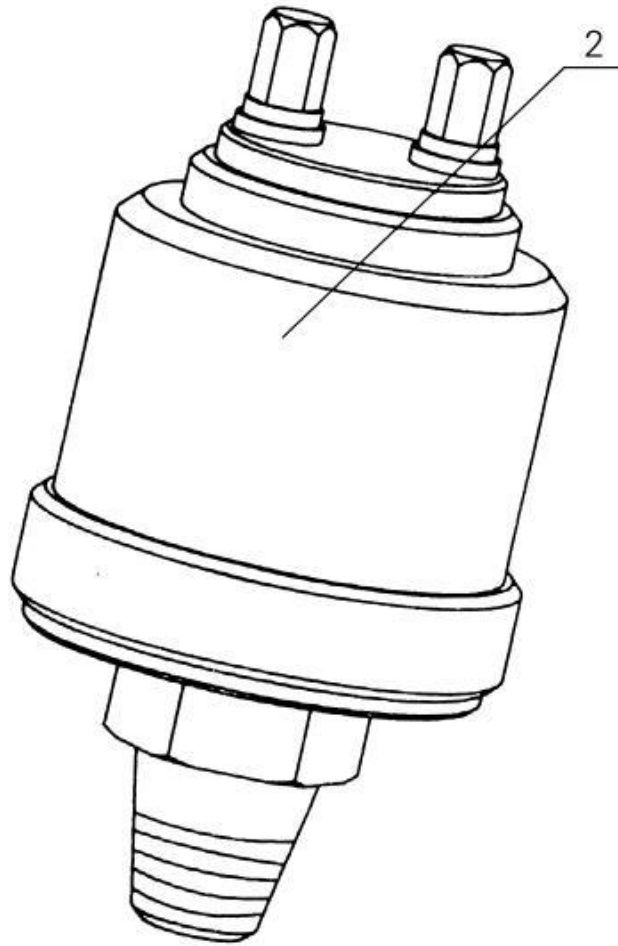
27 D30-3708000 Starter assembly



27 D30-3708000 Starter assembly

Item	Part No.	Part Names	Quantity	Remark	Item	Part No.	Part Names	Quantity	Remark
1	D30-3708010A	Starter	1						
2	Q150B1030	Bolt M10×30	3						
3	Q40310	Washer 10	3						
4	Q40110	Washer 10	3						

28 D30-3800000 Gauge assembly



28 D30-3800000 Gauge assembly

Item	Part No.	Part Names	Quantity	Remark	Item	Part No.	Part Names	Quantity	Remark
1	365C-3800020	Water temperature sensor	1	Damageable					
2	365C-3800030	Oil pressure transmitter	1	Damageable					